

ARCONAS



X Series

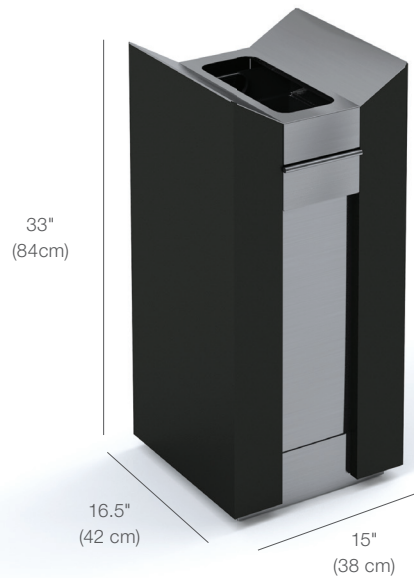
WASTE & RECYCLING BINS



WASTE & RECYCLING

The X Series are commercial waste and recycling bins built for high-use applications. These maintenance friendly bins are made from a choice of stainless steel or zinc plated and powder coated cold rolled steel, allowing them to be both functional and elegant.

Trashbox



volume 53 l (14 gal)

interior/exterior trash receptacle without hood

Shown with powder
coated panels

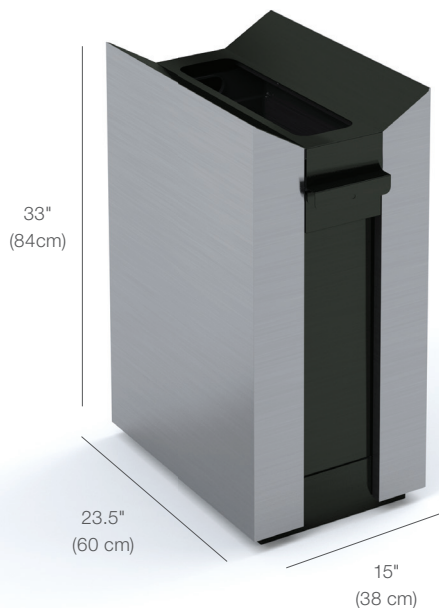


exterior trash receptacle with hood

Finishes

- Powder coated panels
- Stainless steel front and rear panels, powder coated accents
- All stainless steel

Super Trashbox



volume 85 l (22.5 gal)

interior/exterior trash receptacle without hood

Shown with stainless
steel front and rear
panels, powder
coated accents



exterior trash receptacle with hood

Finishes

- Powder coated panels
- Stainless steel front and rear panels, powder coated accents
- All stainless steel

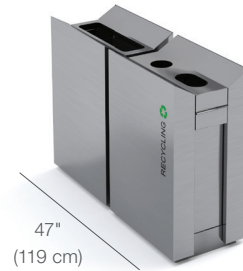
RUX Recycling Bins



volume 76 l (20 gal)

RUX II

Recycling unit with 2 sorting compartments. Shown in all stainless steel



RUX III

Recycling unit with 3 sorting compartments

161 l (42.5 gal)



RUX IV

Recycling unit with 4 sorting compartments

151 l (40 gal)

Finishes

- Powder coated panels
- Stainless steel front and rear panels, powder coated accents
- All stainless steel

Smokestax

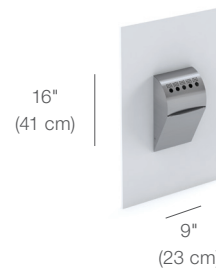


smokestax ashtray with hood

Shown in all stainless steel



smokestax wall mounted ashtray



smokebox wall mounted ashtray

Finishes

- Powder coated panels
- Stainless steel front and rear panels, powder coated accents
- All stainless steel

FINISHES



Silver Metallic



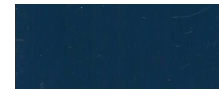
Light Grey



Cloud Silver with Clear Coat



Black



Deep Blue



Charcoal Grey



Bright Red



Dark Brown



Forest Green



Stainless Steel

GRAPHICS

Standard rux front panel graphic



Upgraded rux front panel graphic



Standard smokestax graphic



Standard sorting symbols on lid

Plastic



Waste Only



Paper



Glass



Metal



SPECIFICATIONS

Construction

- 16 gauge cold rolled steel
- Recessed base and body
 - Steel and/or stainless steel
- Exterior steel models
 - Zinc undercoat
- Lid
 - Hinged and chained
- Freestanding or floor fastened
 - Unit ships standard with floor fastening hardware
- Adjustable leveling glides
- Polyurethane liner (trashbox, super trashbox, and rux only)
- Allen key lock

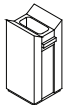
Options

- Custom corporate or sponsor graphics
- Custom colors
- Custom graphic programs to meet your specific needs

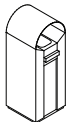
Finishes

- Powder coated panels (PC)
- Stainless steel front and rear panels, powder coated accents (SP)
- All stainless steel (AS)

trashbox

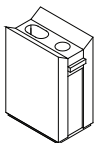


X3TEPC
X3TESP
X3TEAS

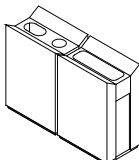


X3TEHPC
X3TEHSP
X3TEHAS

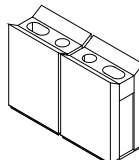
rux



X3R2EPC
X3R2ESP
X3R2EAS

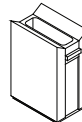


X3R3IPC
X3R3ISP
X3R3IAS

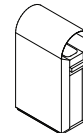


X3R4IPC
X3R4ISP
X3R4IAS

super trashbox



X3SEPC
X3SESP
X3SEAS



X3SEHPC
X3SEHSP
X3SEHAS

smokestax



X3SSPC
X3SSSP
X3SSAS



X3SSWPC
X3SSWSP
X3SSWAS



X3SBPC
X3SBAS