

DATA SHEET

SKYLINE floorstanding bin S 100

Volume:	25 Gal (95 Liters)
Casing material:	1.4301 /AISI 304 stainless steel
Material thickness:	0.6" (1.5 mm)
Inner container material:	Galvanized sheet steel
Width:	14.6" (370 mm)
Depth:	22.8" (580 mm)
Height:	40.5" (1030 mm)
Weight:	92.6 lbs (42 kg)



Exclusively distributed in North America by **ARCONAS**

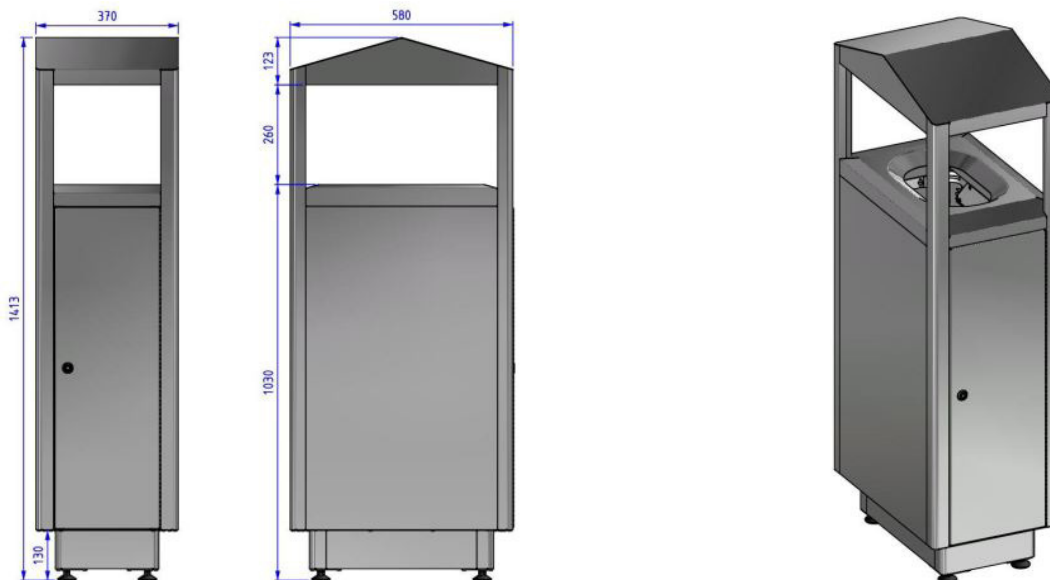
Copyright declaration:

All sketches, drawings and electronic information are the property of AUWEKO GmbH in Neu-Isenburg. The use of these documents, hard copies or information is permitted for internal purposes only. Forwarding to third parties is not authorised. Subject to technical alteration. © AUWEKO GmbH, 63263 Neu-Isenburg

DATA SHEET

SKYLINE floorstanding bin S 100D

Volume:	25 Gal (95 Liter)
Casing material:	1.4301 /AISI 304 stainless steel
Material thickness:	0.6" 1.5 mm
Inner container material:	Galvanized sheet steel
Width:	14.6" (370 mm)
Depth:	22.8" (580 mm)
Height:	55.6" (1413 mm)
Weight:	103.6 lbs (47 kg)



Exclusively distributed in North America by **ARCONAS**

Copyright declaration:

All sketches, drawings and electronic information are the property of AUWEKO GmbH in Neu-Isenburg. The use of these documents, hard copies or information is permitted for internal purposes only. Forwarding to third parties is not authorised. Subject to technical alteration. © AUWEKO GmbH, 63263 Neu-Isenburg

DATA SHEET

SKYLINE floorstanding bin S 200

Volume:	2x 26.4 Gal (100 Liters)
Casing material:	1.4301 /AISI 304 stainless steel
Material thickness:	0.6" (1.5 mm)
Inner container material:	Galvanized sheet steel
Width:	25.2" (640 mm)
Depth:	22.8" (580 mm)
Height:	40.6" (1030 mm)
Weight:	134.5 lbs (61 kg)



Exclusively distributed in North America by **ARCONAS**

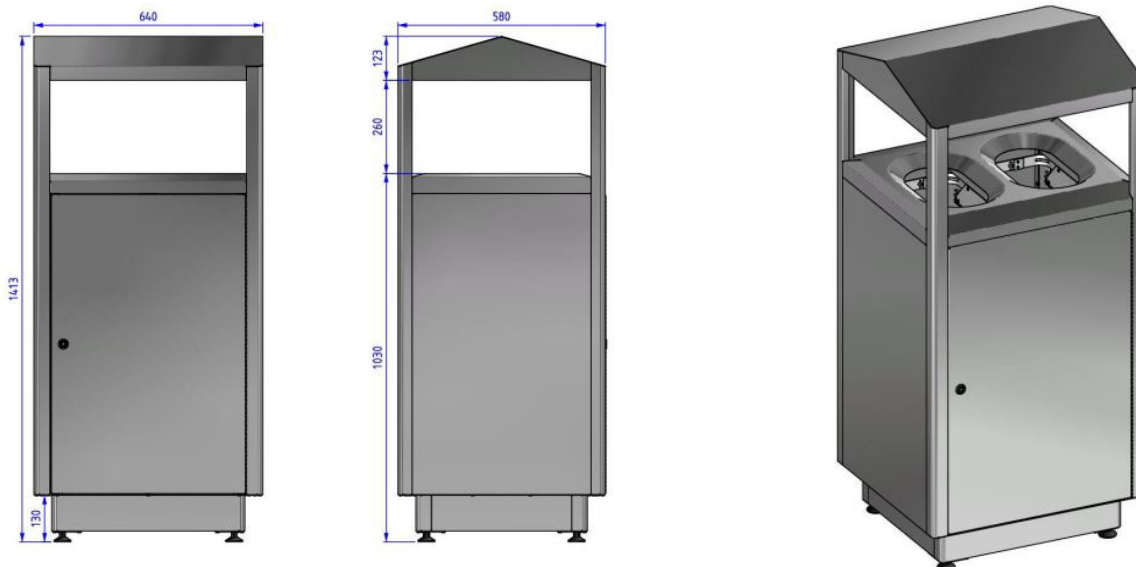
Copyright declaration:

All sketches, drawings and electronic information are the property of AUWEKO GmbH in Neu-Isenburg. The use of these documents, hard copies or information is permitted for internal purposes only. Forwarding to third parties is not authorised. Subject to technical alteration. © AUWEKO GmbH, 63263 Neu-Isenburg

DATA SHEET

SKYLINE floorstanding bin S 200D

Volume:	2x 26.4 Gal (100 Liters)
Casing material:	1.4301 /AISI 304 stainless steel
Material thickness:	0.6" (1.5 mm)
Inner container material:	Galvanized sheet steel
Width:	25.2" (640 mm)
Depth:	22.8" (580 mm)
Height:	40.6" (1030 mm)
Weight:	150 lbs (64 kg)



Exclusively distributed in North America by **ARCONAS**

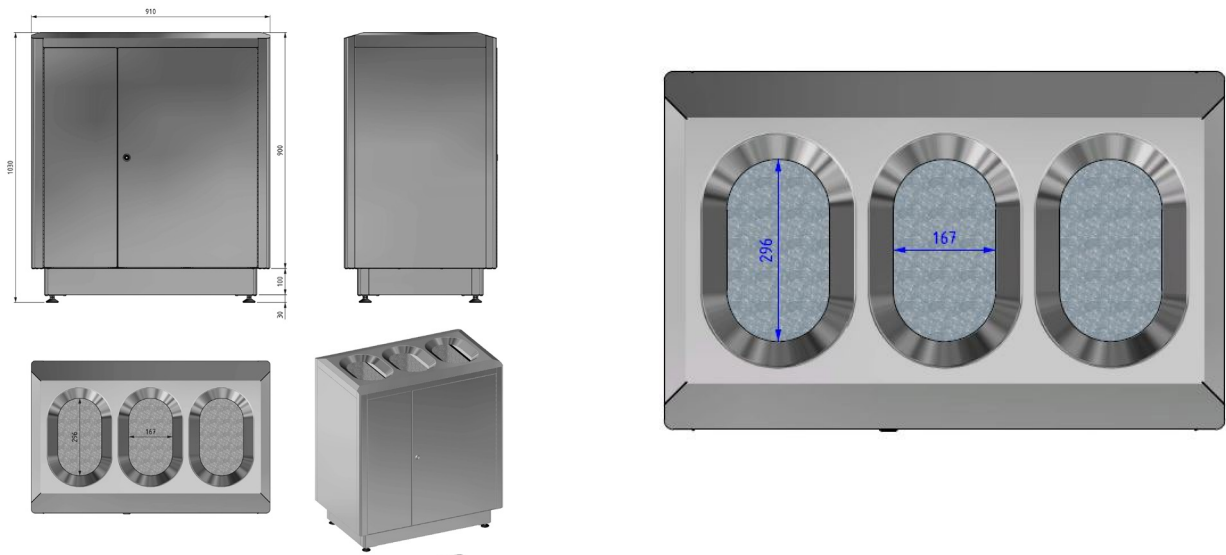
Copyright declaration:

All sketches, drawings and electronic information are the property of AUWEKO GmbH in Neu-Isenburg. The use of these documents, hard copies or information is permitted for internal purposes only. Forwarding to third parties is not authorised. Subject to technical alteration. © AUWEKO GmbH, 63263 Neu-Isenburg

DATA SHEET

SKYLINE floorstanding bin S 300

Volume:	3x26.4 Gal (100 Liters)
Casing material:	1.4301 /AISI 304 stainless steel
Material thickness:	0.6" (1.5 mm)
Inner container material:	Galvanized sheet steel
Width:	35.8" (640 mm)
Depth:	22.8" (580 mm)
Height:	40.6" (1030 mm)
Weight:	181 lbs (82 kg)



Exclusively distributed in North America by **ARCONAS**

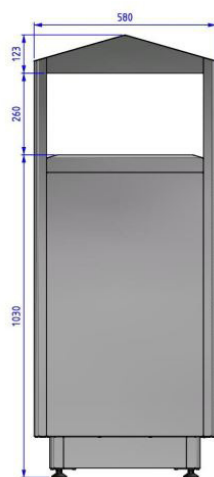
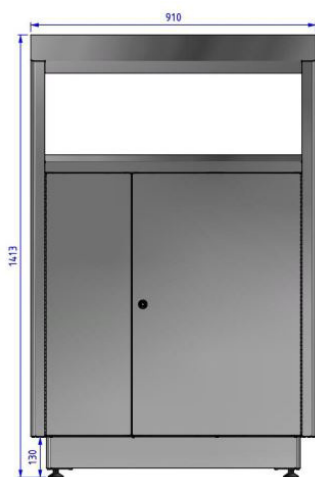
Copyright declaration:

All sketches, drawings and electronic information are the property of AUWEKO GmbH in Neu-Isenburg. The use of these documents, hard copies or information is permitted for internal purposes only. Forwarding to third parties is not authorised. Subject to technical alteration. © AUWEKO GmbH, 63263 Neu-Isenburg

DATA SHEET

SKYLINE floorstanding bin S 300D

Volume:	3x26.4" (100 Liters)
Casing material:	1.4301 /AISI 304 stainless steel
Material thickness:	0.6" (1.5 mm)
Inner container material:	Galvanized sheet steel
Width:	35.8" (910 mm)
Depth:	22.8" (580 mm)
Height:	55.6" (1413 mm)
Weight:	196 lbs (89 kg)



Exclusively distributed in North America by **ARCONAS**

Copyright declaration:

All sketches, drawings and electronic information are the property of AUWEKO GmbH in Neu-Isenburg. The use of these documents, hard copies or information is permitted for internal purposes only. Forwarding to third parties is not authorised. Subject to technical alteration. © AUWEKO GmbH, 63263 Neu-Isenburg

DATA SHEET

SKYLINE floorstanding bin S 400

Volume:	4x26.4" (100 Liters)
Casing material:	1.4301 /AISI 304 stainless steel
Material thickness:	0.6" (1.5 mm)
Inner container material:	Galvanized sheet steel
Width:	43.3" (1100 mm)
Depth:	22.8" (580 mm)
Height:	40.6" (1030 mm)
Weight:	220.5 lbs (100 kg)



Exclusively distributed in North America by **ARCONAS**

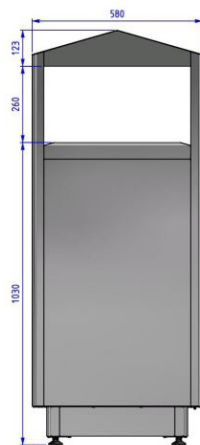
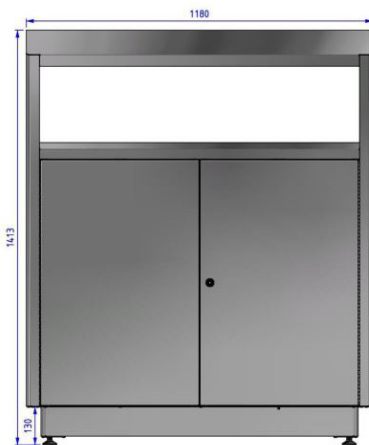
Copyright declaration:

All sketches, drawings and electronic information are the property of AUWEKO GmbH in Neu-Isenburg. The use of these documents, hard copies or information is permitted for internal purposes only. Forwarding to third parties is not authorised. Subject to technical alteration. © AUWEKO GmbH, 63263 Neu-Isenburg

DATA SHEET

SKYLINE floorstanding bin S 400D

Volume:	4x26.4 Gal (100 Liters)
Casing material:	1.4301 /AISI 304 stainless steel
Material thickness:	0.6" (1.5 mm)
Inner container material:	Galvanized sheet steel
Width:	46.5" (1180 mm)
Depth:	22.8" (580 mm)
Height:	40.6" (1030 mm)
Weight:	242.5 lbs (110 kg)



Exclusively distributed in North America by **ARCONAS**

Copyright declaration:

All sketches, drawings and electronic information are the property of AUWEKO GmbH in Neu-Isenburg. The use of these documents, hard copies or information is permitted for internal purposes only. Forwarding to third parties is not authorised. Subject to technical alteration. © AUWEKO GmbH, 63263 Neu-Isenburg