

# Radius Divider

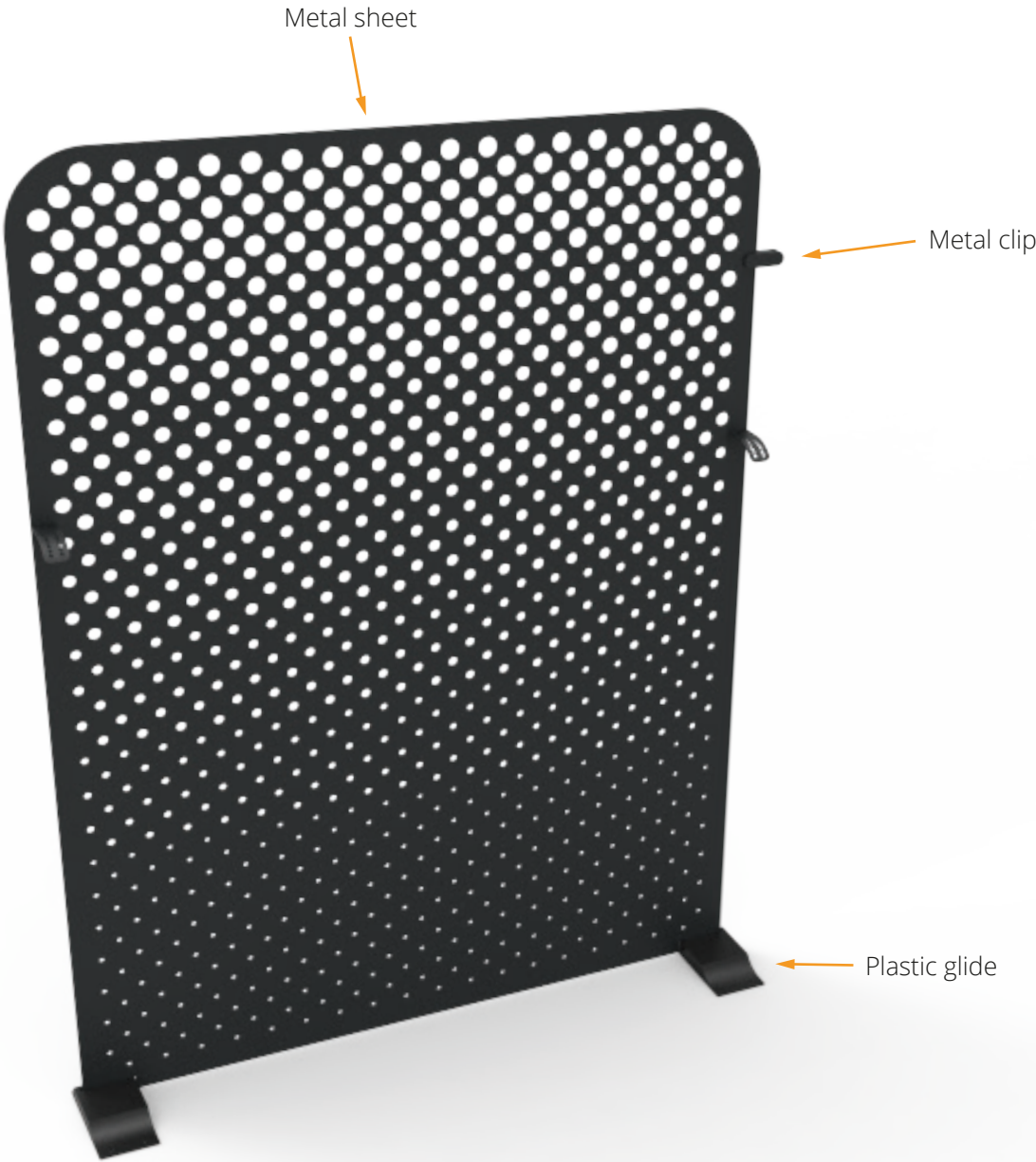
## Manual

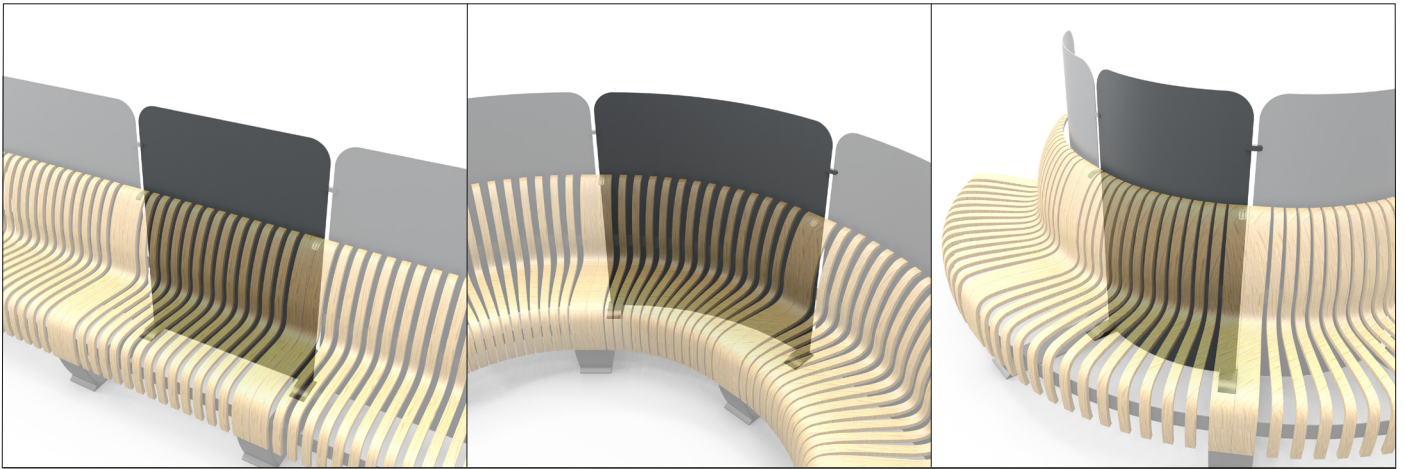


Green Furniture Concept

# Index

Product description .....	p3-4
Recycling .....	p5
Assembly instructions   Radius Divider.....	p6-7





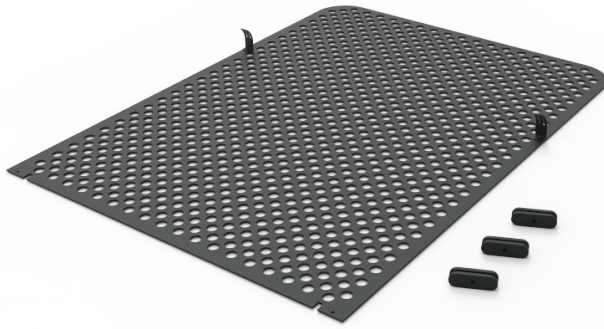
### Curvature

Radius Divider can be made to any curvature between 0-45 degrees, both concave and convex. Standard modules are straight and convex /concave 45 degrees.



### Color & pattern

Standard or custom colors can be chosen as well as color mixes. The Radius Divider comes with cut out holes for a see-through effect (custom patterns possible) or plain which gives a surface where a message or image can be applied.

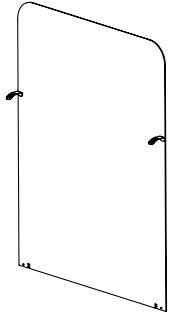


Sheets, clips and small parts are made of steel and are sorted as metal.

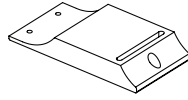
---

Glides are made of PE and are sorted as plastic.

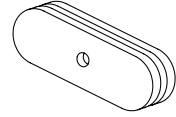




Divider metal sheet x1



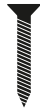
Divider glides x2



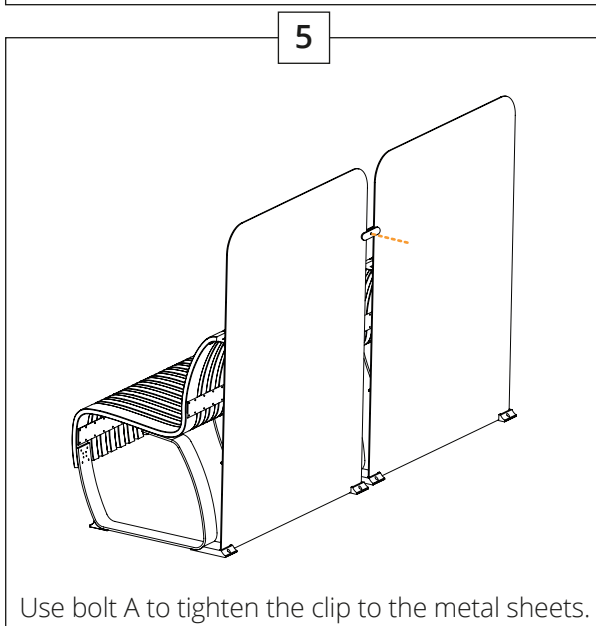
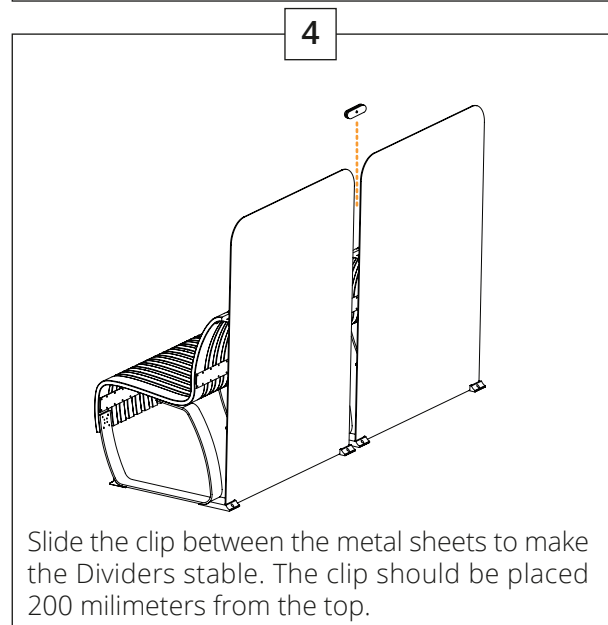
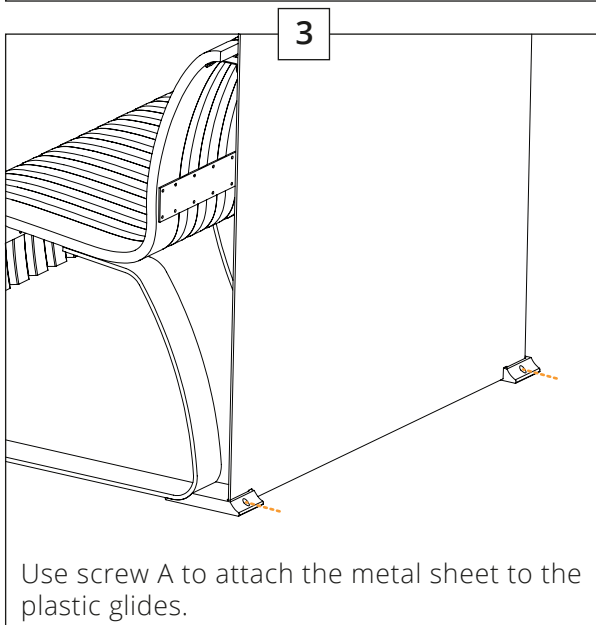
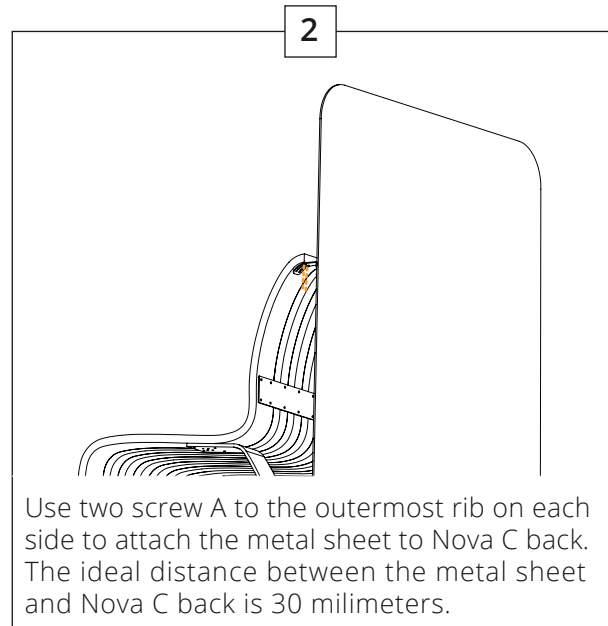
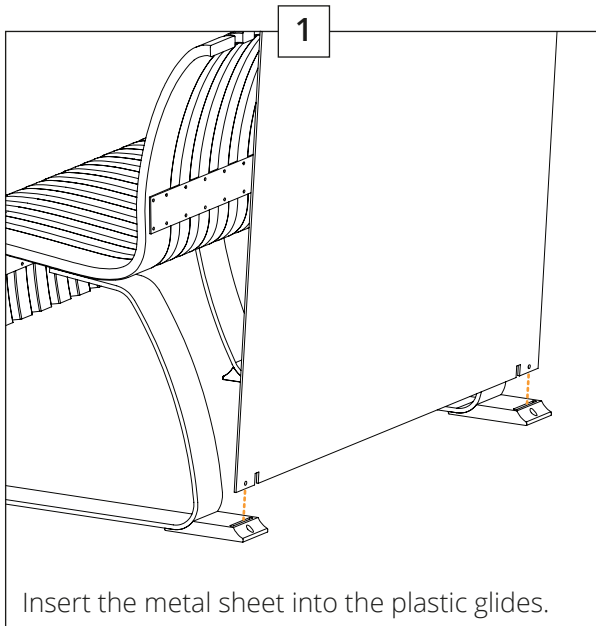
Divider clip x1



Bolt A x1



Screw A x6



G

Green Furniture Concept