

A photograph showing a green plant in a tan pot on a yellow table. A silver water level indicator is placed in the soil. The background is a blurred indoor setting.

# A world of plants

for USM Haller

Operating Instructions

<b>1</b>	<b>Product description</b>	<b>4</b>
<b>2</b>	<b>General information</b>	<b>4</b>
<b>3</b>	<b>Component overview</b>	<b>5</b>
<b>4</b>	<b>Room requirements</b>	<b>6</b>
4.1	Humidity	6
4.2	Room temperature	6
<b>5</b>	<b>Plant selection</b>	<b>7</b>
5.1	Plants' light requirements	7
5.2	Plants' water requirements	7
5.3	Plant sizes	7
5.4	Plant quality	7
5.5	Plant types	7
<b>6</b>	<b>Substrate and plant fertiliser</b>	<b>10</b>
6.1	Substrate	10
6.2	Plant fertiliser	10
<b>7</b>	<b>Planting instructions</b>	<b>10</b>
7.1	Setting up the watering set	10
7.2	Planting and watering	10
7.3	Fertilising	12
7.4	Correctly inserting a pot	12
<b>8</b>	<b>Watering cycle</b>	<b>13</b>
8.1	Watering cycle phases	13
8.2	Setting the watering cycle	13
<b>9</b>	<b>Cleaning and maintenance</b>	<b>14</b>
<b>10</b>	<b>FAQ</b>	<b>15</b>

# 1 Product description

People in modern society spend 80% to 90% of their time indoors every day. This way of life, in increasingly artificially air-conditioned, dry environments, not only puts strain on our bodies, but also detaches us from the natural world around us.

If we take a look at the positive effects that nature and its lush plant world have on us, on our performance and our capacity to recover, and therefore on our health, one thing becomes clear: we need to bring more plants into the built environment.

## USM Modular Furniture Haller

USM Modular Furniture Haller was first launched in 1965 and has since become globally synonymous with timeless design. Its potential uses are almost limitless. Whether alone or as complementary items, USM Haller furniture acts as design features for offices, indoor public spaces and homes. USM Modular Furniture Haller undergoes constant development, subject to the key priority of ensuring backward compatibility. This ensures that all new system components can be integrated into existing structures.

In 2017, a new generation was born in the form of USM Haller E. A concealed power supply was integrated into the system.

The structure acts as a conductor, the ball forms the electrical junction and the various inserts such as lights and a USB charger are integrated into the tubes.

## A world of plants for USM Haller

The product "A world of plants" regards the latest social transformations as an opportunity and moves plants inside as a way of helping improve both mental and physical well-being. The integration of plants into the existing modular USM Modular Furniture Haller furthermore offers new and complementary combination and design possibilities, even extending to room design. This newly created, warm appearance of USM Haller can be additionally supported with e-Lights.

Plants cannot thrive without natural or appropriate artificial light. Supplementing the world of plants with USM Haller E can promote plant growth by offering consistent lighting conditions.

# 2 General information

USM is a furniture manufacturer, not a specialist in plants and plant accessories. In producing this operating instructions, USM solely offers recommendations on the use of the world of plants for USM Haller. With regard to the actual plants, USM therefore recommends that you always follow the instructions of a trusted gardener or the guidance provided on the plant products themselves.



Plants (with the exception of culinary herbs) and substrates are not suitable for consumption and can sometimes be poisonous to humans and even pets or cause allergic reactions.

## Area of use

All product components for the world of plants compatible with USM Modular Furniture Haller are designed for indoor use and should therefore only be used indoors.



# 3 Component overview

A world of plants  
for USM Haller

Date  
01.21/en

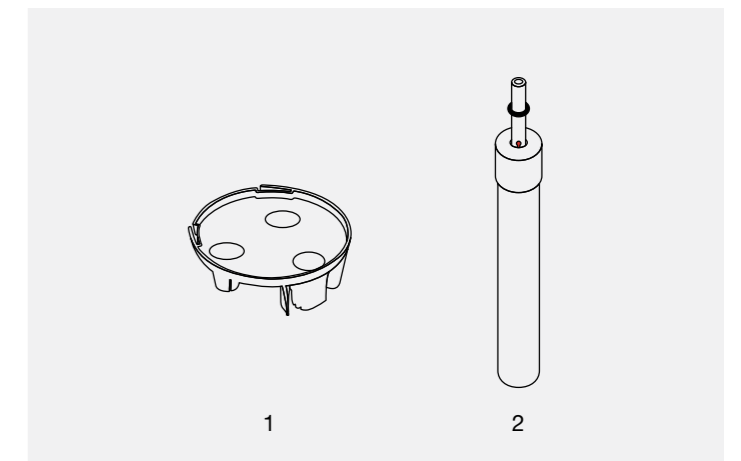
## Pot

Available colours: Terracotta and Basalt  
Edge diameter: 220 mm  
Base diameter: 133 mm  
Height: 200 mm



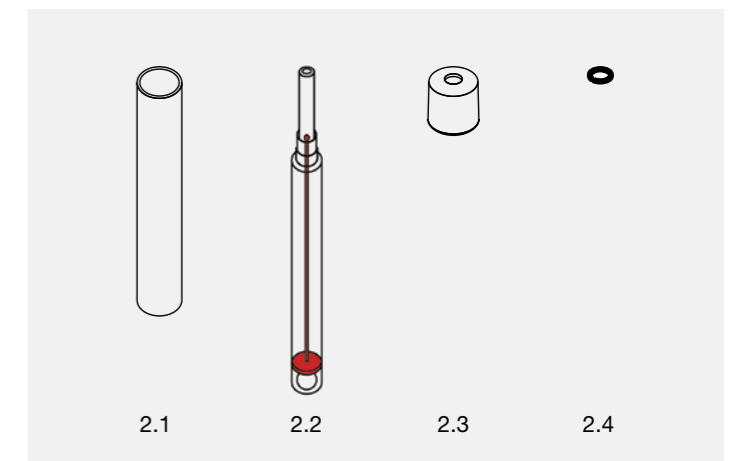
## Watering set

1. Pot insert
2. Complete water level indicator



The complete water level indicator consists of the following:

- 2.1 Outer tube
- 2.2 Internal water level indicator
- 2.3 Cap
- 2.4 Indicator ring



## 4 Room requirements

The ideal humidity and room temperature vary depending on whether a room is a living room, bedroom or office but the following general rules still apply:

### 4.1 Humidity

A healthy interior for both plants and humans should have a humidity level of between 50% and 60%. These ideal conditions cannot always be achieved during the colder seasons when heating is used. Indoor plants also thrive in dry air. They help humidify rooms through evaporation.

### 4.2 Room temperature

Plants from tropical climate regions, i.e. classic indoor plants, are particularly ideal for rooms with an even temperature profile throughout the year and an average temperature of about 18 – 25°C.

## 5 Plant selection

A world of plants  
for USM Haller

Date  
01.21/en

### 5.1 Plants' light requirements

Plants should be selected according to the orientation of the windows or alternatively illuminated by artificial lighting. Plants cannot thrive without natural or appropriate artificial light. To meet your plants' needs, we recommend that you always follow the instructions of a trusted gardener or the guidance provided on the specific plant products.



Please note the following when using USM Haller E: The use of USM Haller E only supports plants' growth when at full power. Dimmed light is too weak for this. If, however, USM Haller E is primarily integrated to accentuate the atmosphere, dimmed light can naturally also be used.

### 5.2 Plants' water requirements

We recommend using plants with normal and low water requirements. If plants with very high water requirements are used, the watering cycle must be shortened.



Plants with very high water requirements are not recommended.

### 5.3 Plant sizes

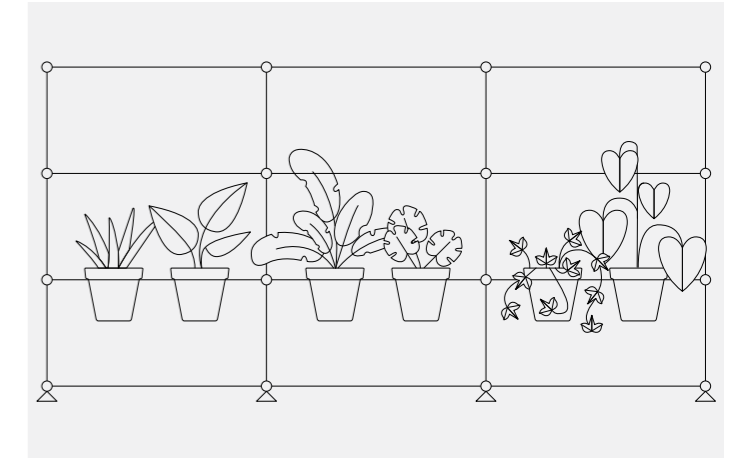
The pot or root ball of the plants to be inserted should have a diameter of between 12 and 18 cm so as to allow sufficient all-round clearance. However, it is also possible to put several small plants in the same pot. The height of the plants should be considered in relation to the furniture structure at hand.

### 5.4 Plant quality

When purchasing plants, always check they are in good health and have no signs of damage.

### 5.5 Plant types

The system is suitable for indoor plants. Both hydro-culture plants and conventional plants in potting soil can be used.





## 6 Substrate and plant fertiliser

### 6.1 Substrate

We recommend using mineral substrates. Mineral substrates are structurally stable and offer sustainable support for plant roots. They also help supply the roots with water, nutrients and air. In addition, the substrate should be fine-grained and absorbent.

### Size

We recommend using a substrate with grain sizes of between 2 – 5 mm or 3 – 8 mm. The grain size should not be larger than this as the proportional volume and proportional contact surface and therefore the ability to conduct and store water would be too low.

### Constituents

Pumice and zeolite are purely mineral and therefore hygienically safe as they do not contain any organic material. Both rocks are in plentiful supply worldwide and 100% ecologically recyclable.

### 6.2 Plant fertiliser

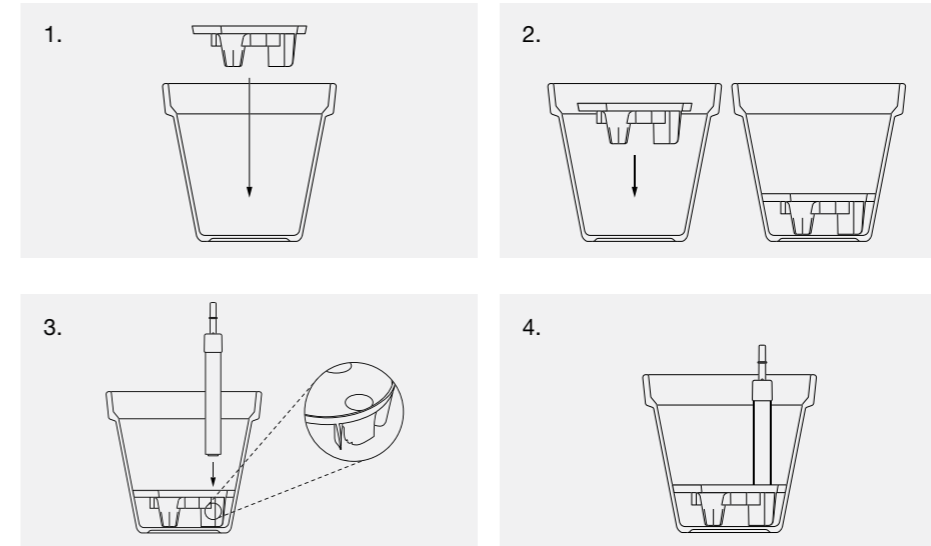
We recommend using liquid fertiliser for indoor plants. Please follow the manufacturer's instructions on how much fertiliser to use.

## 7 Planting instructions

### 7.1 Setting up the watering set →

If you have purchased the world of plants with a watering set, please follow the steps below. If you opted for the world of plants without a watering set, simply skip straight to point 7.2 "Planting and watering".

1. Get a pot and a pot insert.
2. Place the pot insert in the bottom of the pot taking care to ensure that it is level.
3. Guide the water level indicator into the hole provided for it.
4. The water level indicator is correctly inserted if it is pushed in to the stop point and stands up straight in the pot.



### 7.2 Planting and watering →

1. Fill the pot about halfway with the recommended substrate. If planting in a pot with the watering set, please also ensure that the dividing base is completely covered with substrate.
2. Remove the plant from the culture pot and loosely remove the residual substrate or soil.
3. Now place your plant on the substrate. The plant's root ball should not protrude above the pot and should even leave enough room for a thin layer of substrate on top of it.
4. Top up the pot with substrate to the middle of its rim.
5. Water the plant as soon as you have potted it.



Always pour the water into the middle of the pot, straight over the root ball.

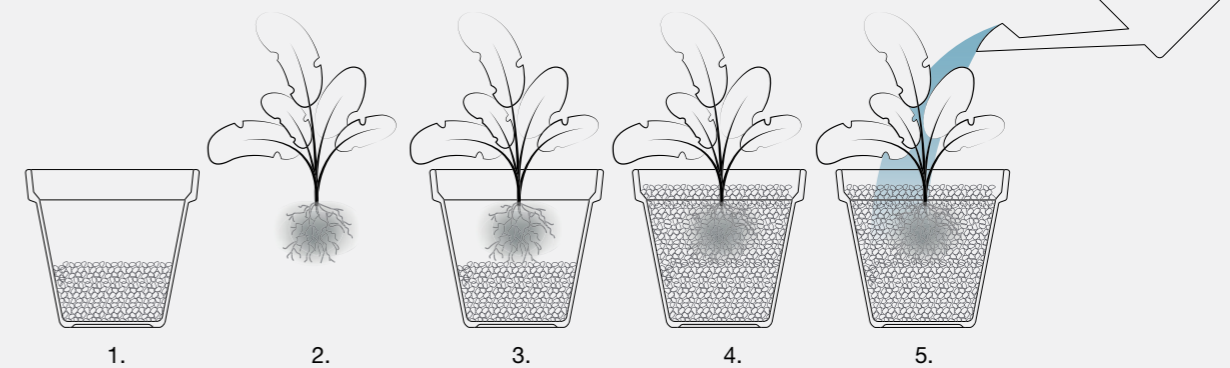


To prevent limescale deposits on the pot or in the substrate, we recommend using water that is as soft as possible.

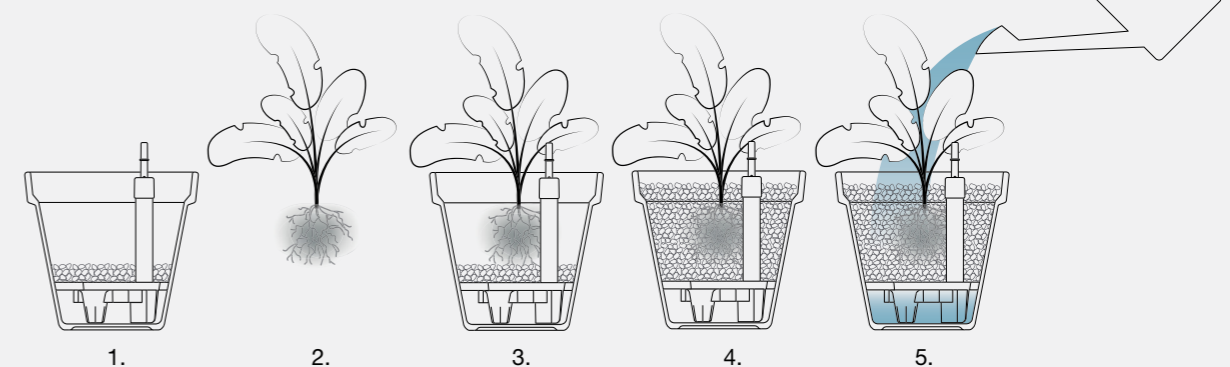


If you have purchased the world of plants with a watering set, water the plant in line with the recommended specifications (see the "watering cycle" section).

### Without a watering set

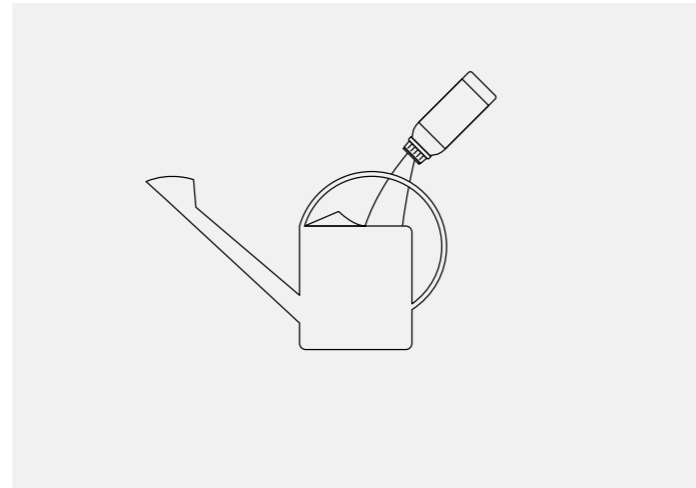


### With a watering set



### 7.3 Fertilising

Mix the liquid fertiliser for indoor plants directly into the water. Please follow the manufacturer's instructions on how much fertiliser to use.



### 7.4 Correctly inserting a pot

1. Hold a potted plant over the desired pot cut-out in the metal plant panel.



If possible, always insert the pot into the structure vertically. This prevents the substrate from falling out of the pot.

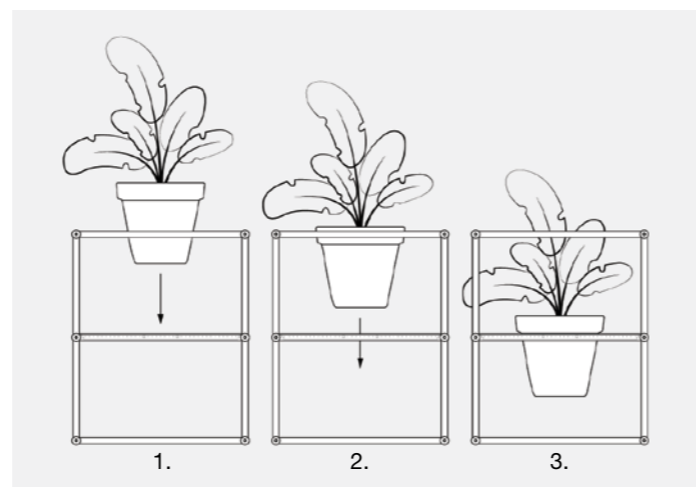
Place a cloth on the metal panel or structure as a temporary shelf for the pot. This will protect the furniture against potential scratches.

2. Place the pot in the opening.

3. Rotate the pot with the plant until positioned as desired.



The protective ring protects the metal panel against scratches.



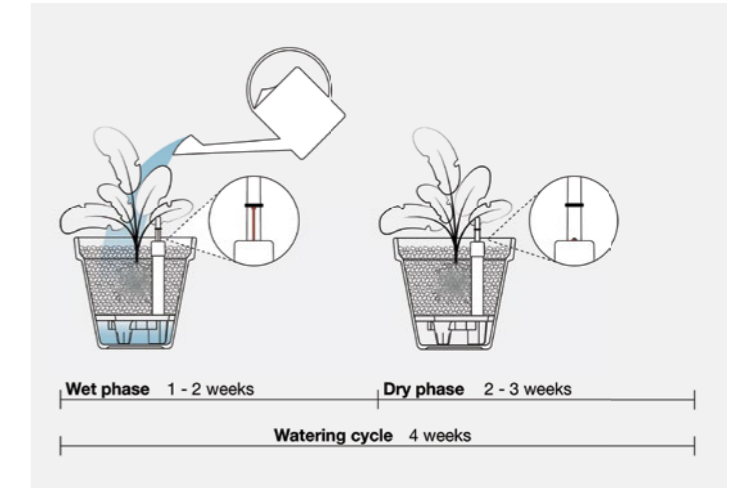
## 8 Watering cycle

### 8.1 Watering cycle phases

The watering set extends and regulates the length of the watering cycle. The watering cycle phases consist of a wet phase and a dry phase. The watering cycle, and therefore also the wet phase, starts when the plant is watered.

Water plants consistently at 4-week intervals. We recommend adding a reminder to your calendar. The recommended amount of water is described in section 8.2 "Setting the watering cycle".

Always maintain a "dry phase". The dry phase starts as soon as the indicator is no longer visible. The recommended dry phases can be found in section 8.2 "Setting the watering cycle".



### 8.2 Setting the watering cycle

Depending on the type of plant (plants with normal water requirements or plants with low ones), the duration of the wet and dry phases varies, as does the amount of water required. The indicator ring helps you set the watering cycle. This is positioned on the water level indicator in line with the water requirement and indicates the amount of water to be administered.

Normal plants:

Wet phase: 1 – 2 weeks  
The red indicator should disappear after 1 – 2 weeks.

Dry phase: 2 – 3 weeks  
Indicator ring position: Position the adjustable indicator ring in the middle of the range recommended for these plants.

Succulents and plants with low water requirements:

Wet phase: 1 week  
The indicator should already have disappeared from sight within the first week as these plants need a longer dry phase than normal plants.

Dry phase: 3 weeks  
Indicator ring position: Position the adjustable indicator ring in the middle of the range recommended for these plants.



We do not recommend using plants with very high water requirements. If such plants are used, the watering cycle must be shortened.



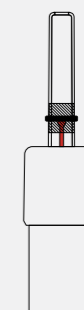
If the time it takes for the indicator to disappear is shorter or longer than that specified under "wet phase", adjust the amount of water the next time you water the plant and reposition the movable indicator ring accordingly.

- Increase the amount of water if the indicator disappears after just a few days.
- Reduce the amount of water if the indicator is still visible at the end of the recommended wet phase.

Indicator ring position:  
Normal plants



Indicator ring position:  
Succulents and plants with low water requirements



## 9 Cleaning and maintenance

### Water droplets

Please ensure that any water droplets or splashes as a result of watering are immediately removed from USM Haller product components and that these are dried.

Chrome and powder-coated surfaces can be cleaned using standard, neutral household cleaners. Highly acidic or alkaline cleaning agents should generally be avoided. When choosing a cloth, opt for a soft fabric or chamois one. Do not use abrasive cleaning cloths.

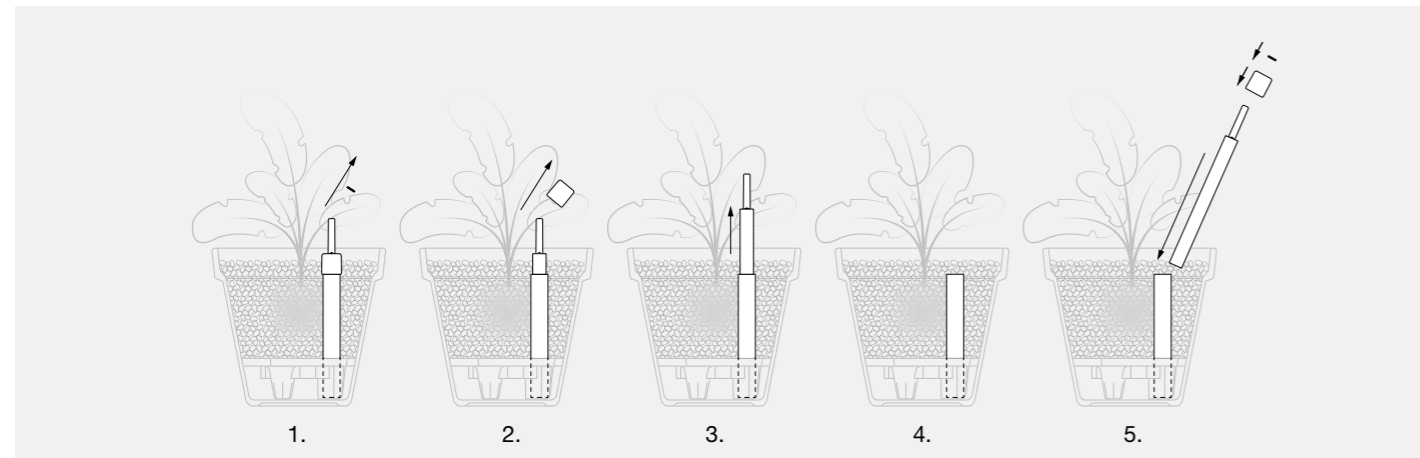
### Substrate

Depending on the water quality, limescale deposits may appear on the surface of the substrate. These will not damage plants. For aesthetic reasons, either the top layer of substrate or all of the substrate can be replaced.

### Water level indicator

If the internal water level indicator needs to be cleaned or replaced, thanks to the outer plastic tube, this can be done easily without any repotting.

1. Remove the movable indicator ring by slipping it off the sight glass and place it to one side.
2. Lift the cap up over the sight glass and off the tube. Place this to one side as well.
3. Now remove the internal water level indicator from the plastic tube.
4. Clean or replace the water level indicator. The outer tube remains in the pot.
5. Insert the water level indicator. Slide the cap back down over the sight glass and onto the tube, then attach the movable indicator ring at the level to which you normally water the plant.



## 10 FAQ

### 1 What should I do if a plant gets too big?

Most green plants grow by a few centimetres a year in good conditions. If a plant becomes too big for the furniture compartment over time, either it can be trimmed or the furniture configuration can be modified. If modifying the furniture, please obtain the advice of a USM-authorized specialist. If trimming a plant, please consult a plant expert.



If the ratio between the plant size and the pot size is no longer appropriate, the plant needs to be repotted into a larger pot. You can then put a new plant in the empty pot.

### 2 Does USM also offer care and maintenance services?

USM is a furniture manufacturer, not a specialist in plants and plant accessories.

USM and its authorised retailers will gladly provide you with information about the world of plants for USM Haller and furniture configurations.

### 3 What are the common mistakes when looking after plants?

- Over or underwatering plants. Water requirements can vary, especially in winter with dry air from heating or as a result of sunshine in the summer.
- The humidity in the indoor environment is too low.
- The plants' lighting requirements are not met; plants may be incorrectly positioned.
- Too much or the incorrect fertiliser.
- Pests are treated with the wrong plant products.
- Incorrect repotting.

### 4. Can I cultivate plants in the system?

The substrate recommended by USM is not suitable for growing plants from seed.



## Switzerland

USM U. Schärer Söhne AG  
Thunstrasse 55, 3110 Münsingen  
Phone +41 31 720 72 72, info.ch@usm.com

## Germany

USM U. Schärer Söhne GmbH  
Siemensstraße 4a, 77815 Bühl  
Phone +49 72 23 80 94 0, info.de@usm.com

## France

USM U. Schärer Fils SA, Showroom  
23, rue de Bourgogne, 75007 Paris  
Phone +33 1 53 59 30 37, info.fr@usm.com

## United Kingdom

USM U. Schaerer Sons Ltd., London Showroom  
Ground Floor, 49–51 Central St., London, EC1V 8AB  
Phone +44 207 183 3470, info.uk@usm.com

## USA

USM U. Schaerer Sons Inc., New York Showroom  
28–30 Greene Street, New York, NY 10013  
Phone +1 212 371 1230, info.us@usm.com

## Japan

USM U. Schaerer Sons K.K., Tokyo Showroom  
Marunouchi MY PLAZA 1 · 2F  
2-1-1 Marunouchi, Chiyoda-ku, Tokyo 100-0005  
Phone +81 3 5220 2221, info.jp@usm.com

All other countries  
contact USM Switzerland.

[www.usm.com](http://www.usm.com)