

Seamless Series
Seamless Bar Seater Manual

AS101-EN-V1



GREEN
FURNITURE
CONCEPT



Index

Modules	XX
Components of Ascent Armrest	XX
Components of Ascent Accessibility Armrest	XX
Recycling of parts	XX
Parts Ascent Series Armrest	XX
Assembly instructions Ascent Series Armrest	XX
Parts Ascent Accessibility Armrest	XX
Assembly instructions Ascent Accessibility Armrest	XX



Seamless Bar Seater Modules

Seamless Series

Seamless Bar Seater 240

Förklaringstext



Seamless Bar Seater

Endpiece

Förklaringstext



Seamless Bar Seater

Concave 30°

Förklaringstext





Recycling – Seamless Bar Seater Modules

Seamless Bar Seater

Seamless Bar Seater

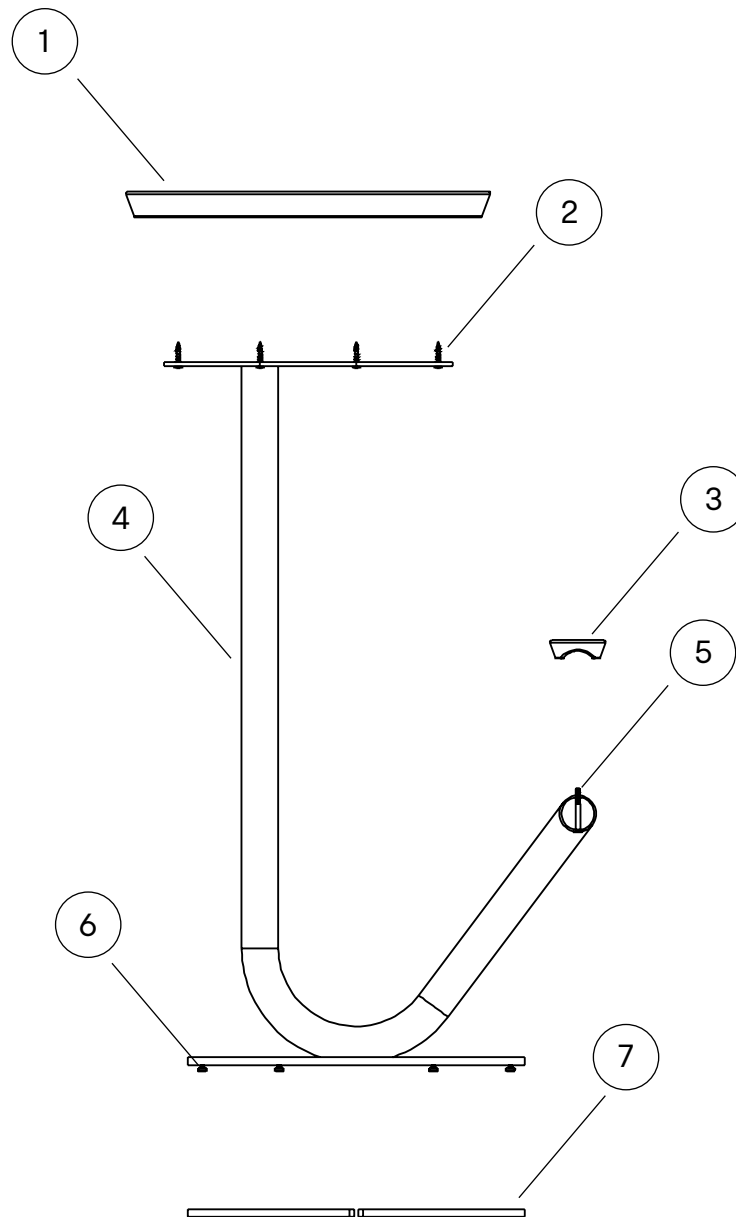
Convex 30°

Förklaringstext



Componets – Seamless Bar Seater Modules

Seamless Bar Seater

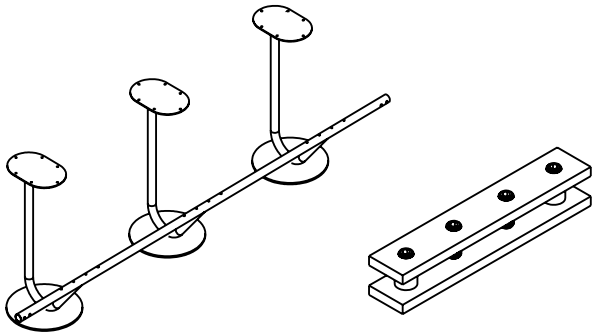


Numbers components

1. Seamless Bar Seater Wood Seat
2. Roundhead Wooden Screw 5x25
3. Wood Top Foot Rail
4. Seamless Bar Seater Metal Base
5. Countersunk Screw 5x45
6. Taptite M5x8 Roundhead
7. Floor Distance for 350 Baseplate Leg

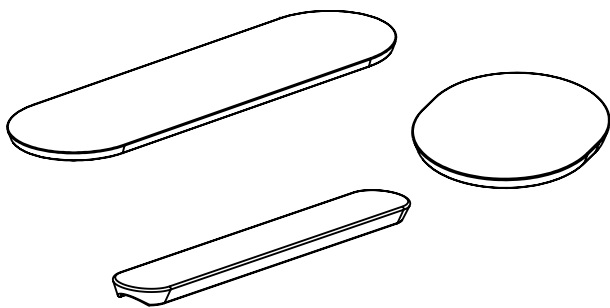
Recycling – Seamless Bar Seater Modules

Seamless Bar Seater



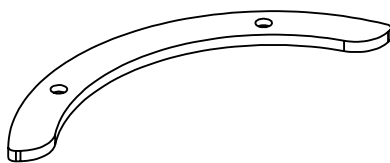
Steel parts

All metal parts such as the metal base and connecting kit should be recycled as steel.



Wood parts

Wooden parts such as seats and foot stands should be separated and recycled as wood.



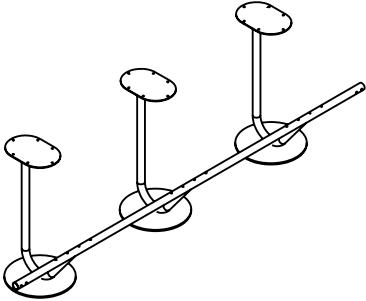
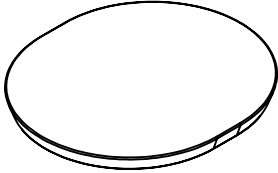
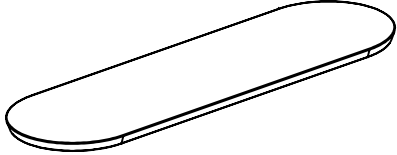
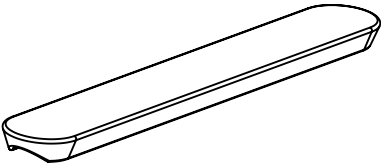
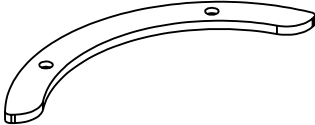
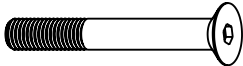
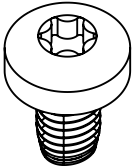
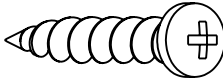
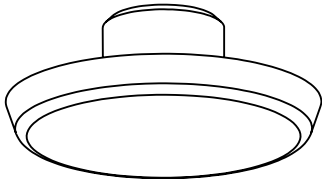
Plastic parts

The plastic discs should be separated and recycled as plastic waste.



Parts – Seamless Bar Seater 240

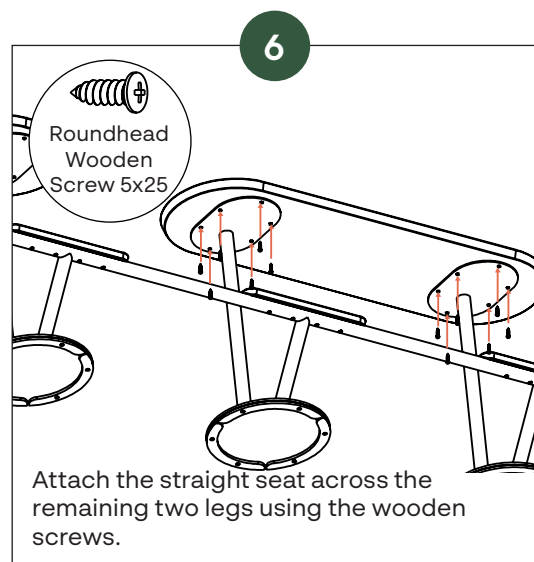
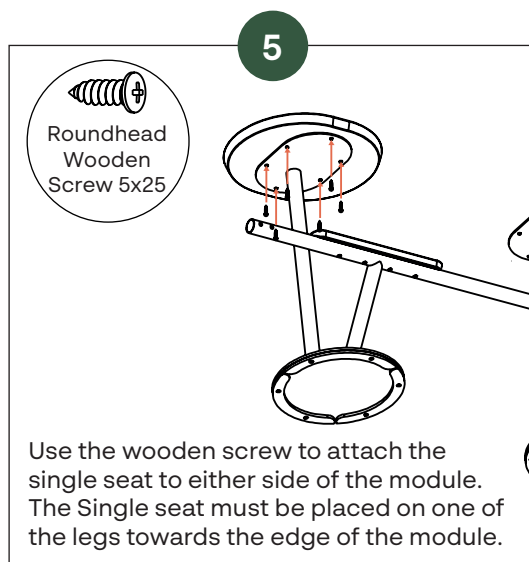
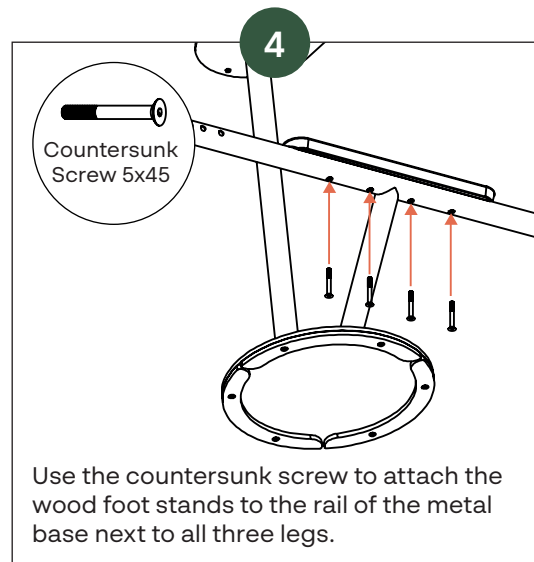
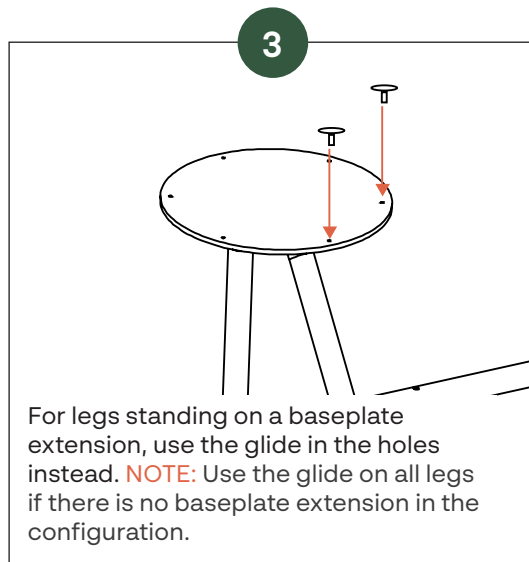
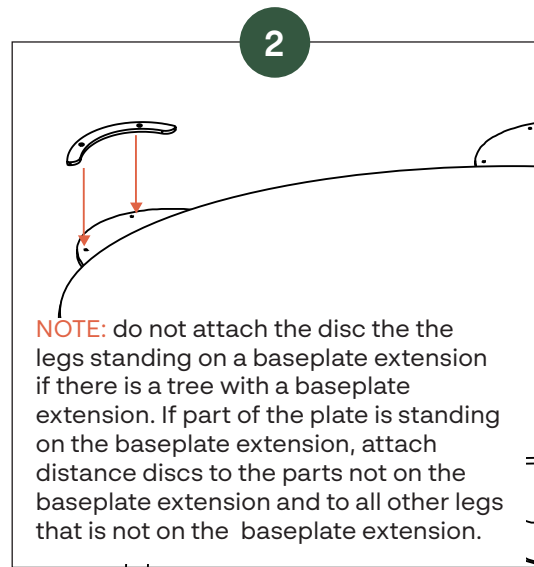
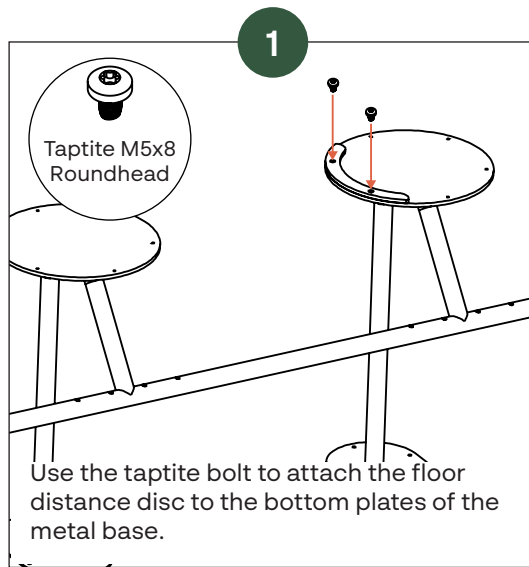
Seamless Bar Seater

 <p>Seamless Bar Seater Metal Base 240 BA00085 x1</p>	 <p>Seamless Bar Seater Wood Seat Single BP00175 x1</p>	 <p>Seamless Bar Seater Wood Seat Straight BP00176 x1</p>
 <p>Wood Top Foot Rail Straight BP00183 x3</p>	 <p>Floor Distance for 350 Baseplate Leg BP00184 x9</p>	 <p>Countersunk Screw 5x45 SP141 x12</p>
 <p>Taptite M5x8 Roundhead SP026 x18</p>	 <p>Roundhead Wooden Screw 5x25 SP002_1 x18</p>	 <p>Glide 5x3,5x1,5 SP144 x18</p>

Assembly Instructions – Seamless Bar Seater 240



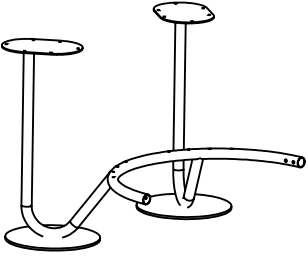

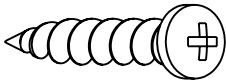
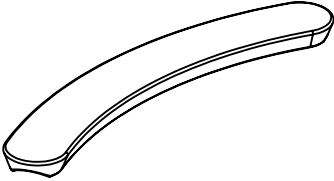
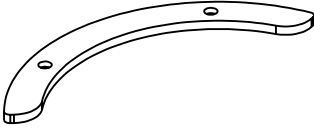
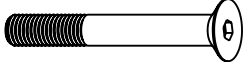
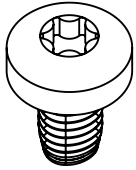
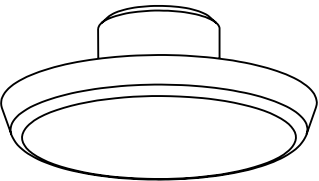
Seamless Bar Seater



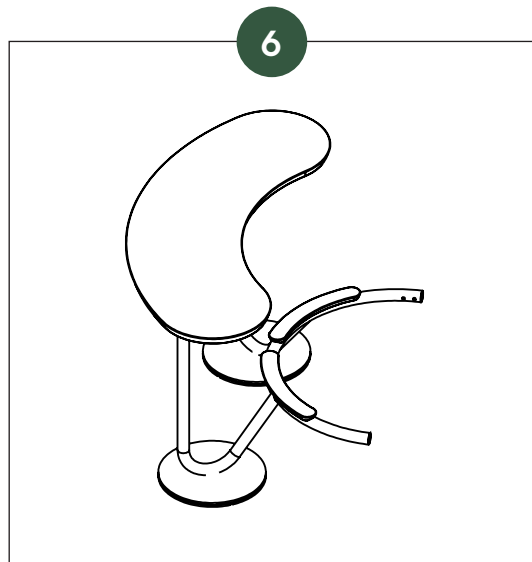
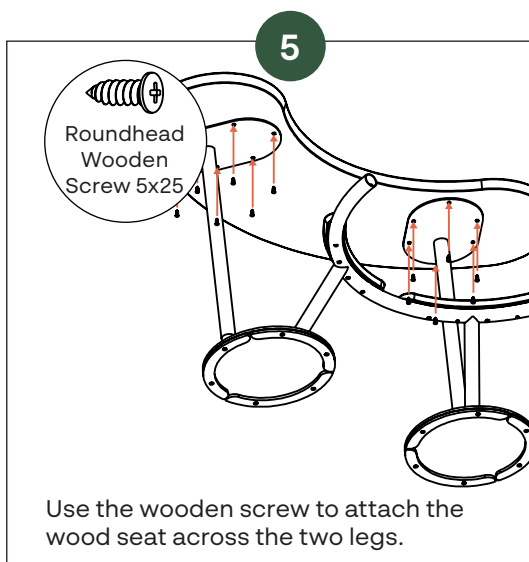
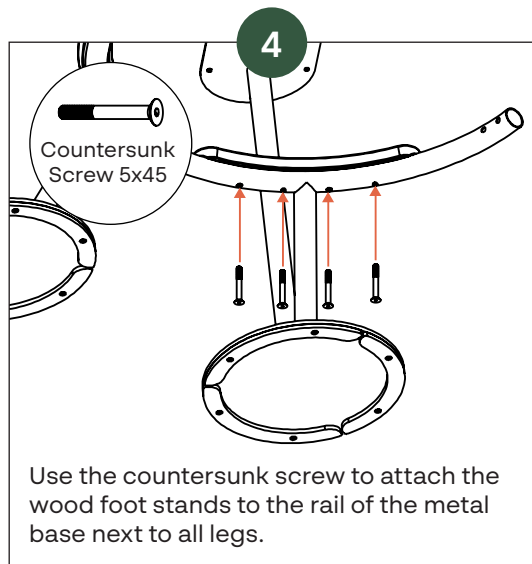
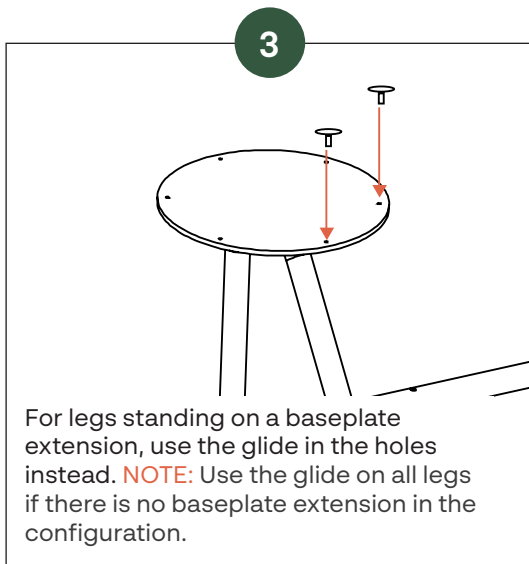
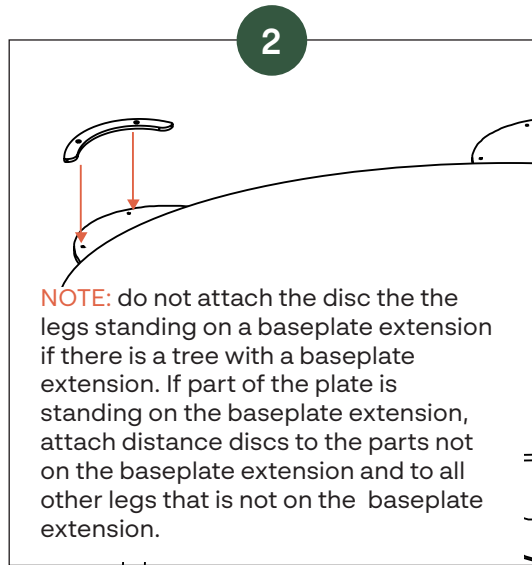
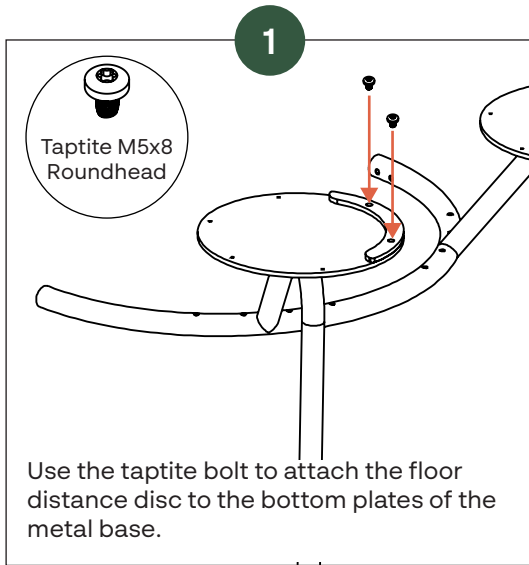


Parts – Seamless Bar Seater Endpiece

Seamless Bar Seater

 <p>Seamless Bar Seater Metal Base Endpiece BA00086 x1</p>	 <p>Seamless Bar Seater Wood Seat Endpiece BP00179 x1</p>	 <p>Roundhead Wooden Screw 5x25 SP002_1 x12</p>
 <p>Wood Top Foot Rail Endpiece BP00183 x2</p>	 <p>Floor Distance for 350 Baseplate Leg BP00184 x6</p>	 <p>Countersunk Screw 5x45 SP141 x8</p>
 <p>Taptite M5x8 Roundhead SP026 x12</p>	 <p>Glide 5x3,5x1,5 SP144 x12</p>	

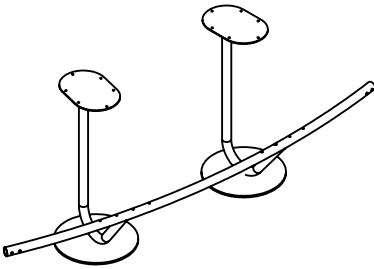
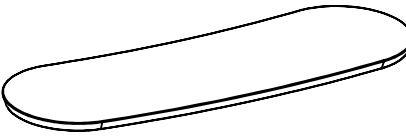
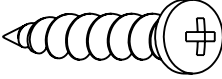
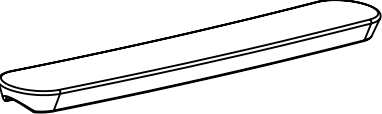
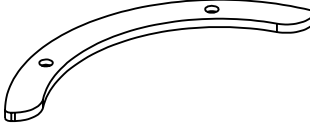
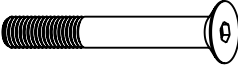
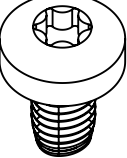
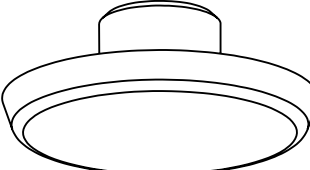
Assembly Instructions – Seamless Bar Seater Endpiece





Parts – Seamless Bar Seater Concave 30°

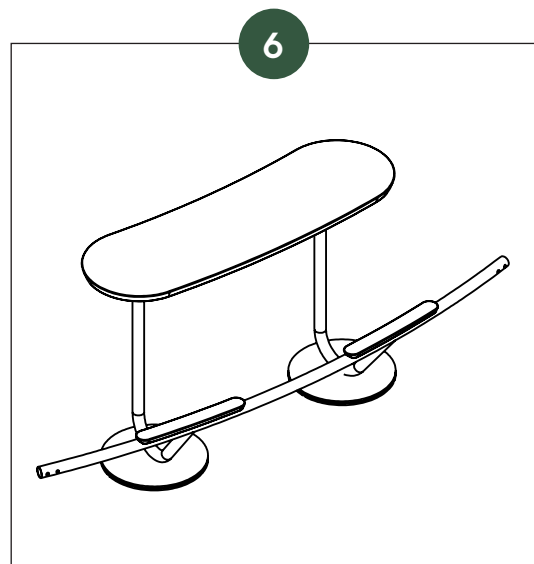
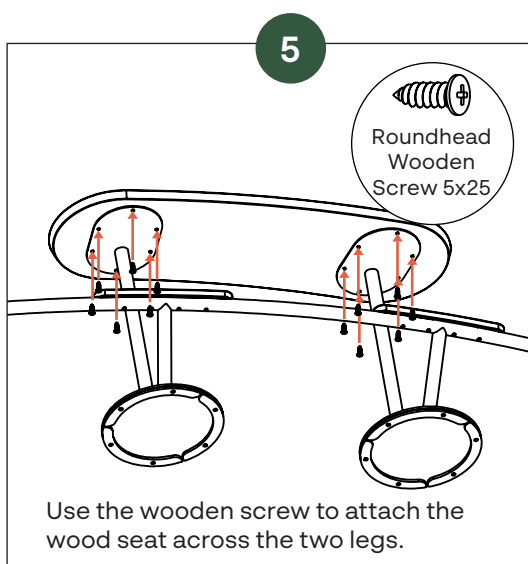
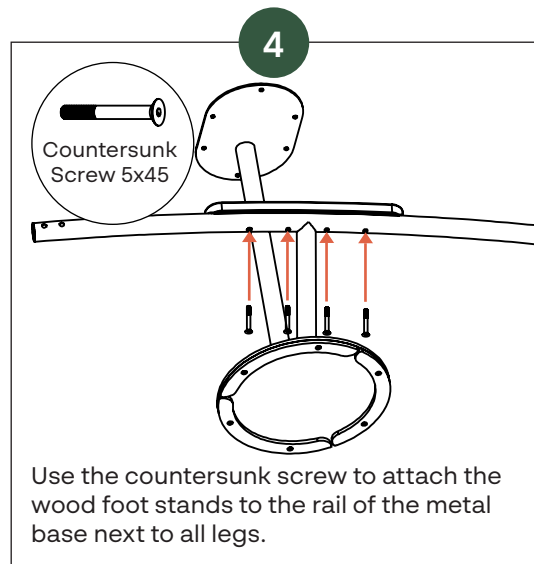
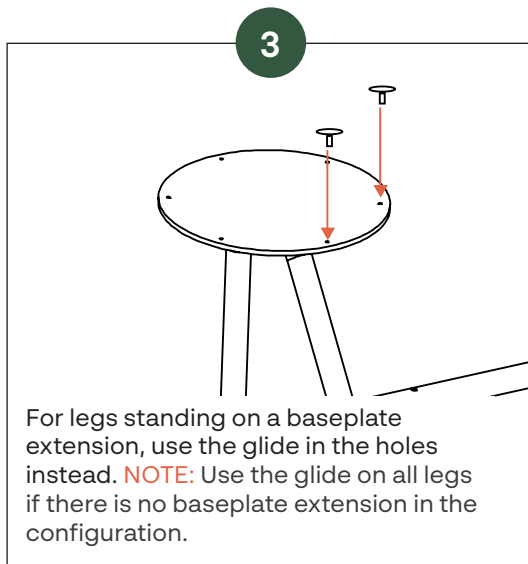
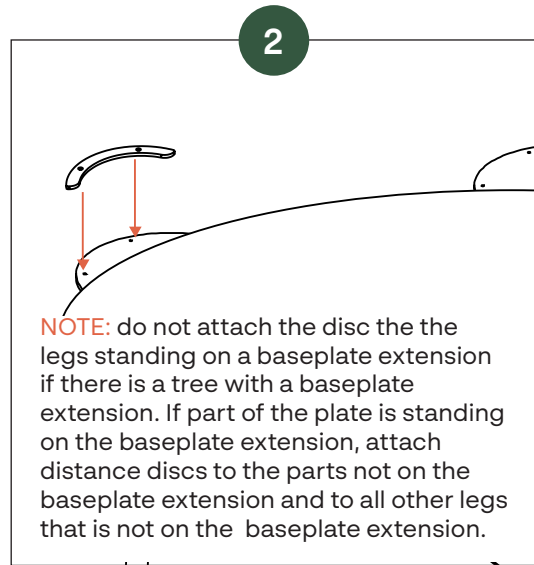
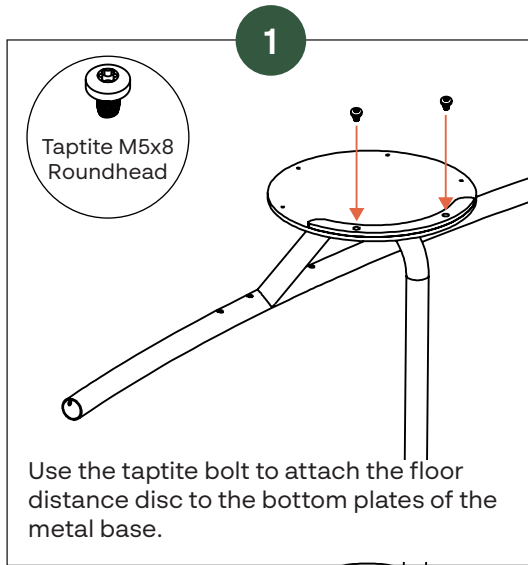
Seamless Bar Seater

 <p>Seamless Bar Seater Metal Base Concave 30° BA00080 x1</p>	 <p>Seamless Bar Seater Wood Seat Concave 30° BP00177 x1</p>	 <p>Roundhead Wooden Screw 5x25 SP002_1 x12</p>
 <p>Wood Top Foot Rail Concave 30° BP00180 x2</p>	 <p>Floor Distance for 350 Baseplate Leg BP00184 x6</p>	 <p>Countersunk Screw 5x45 SP141 x8</p>
 <p>Taptite M5x8 Roundhead SP026 x12</p>	 <p>Glide 5x3,5x1,5 SP144 x12</p>	

Assembly Instructions – Seamless Bar Concave 30°



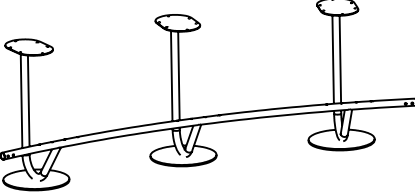

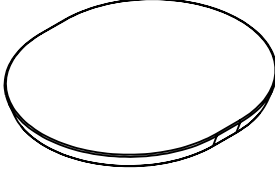
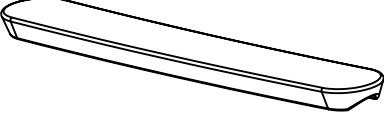

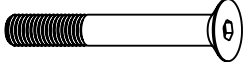
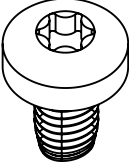
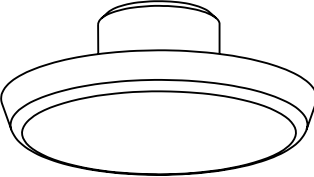
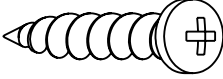
Seamless Bar Seater



Parts – Seamless Bar Seater Convex 30°



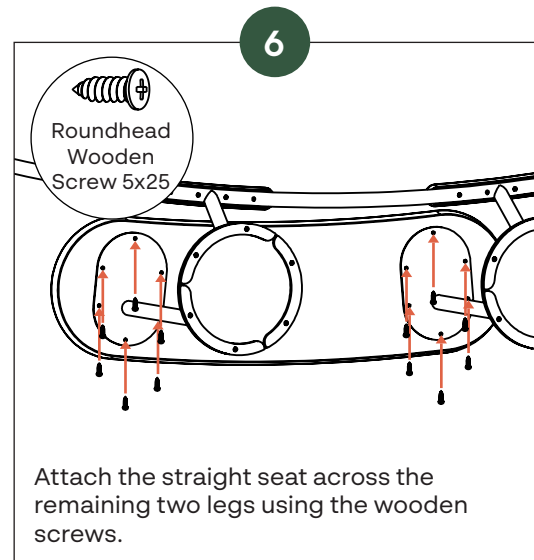
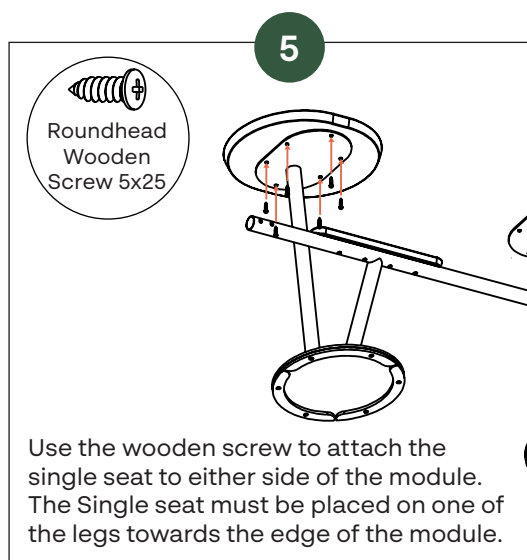
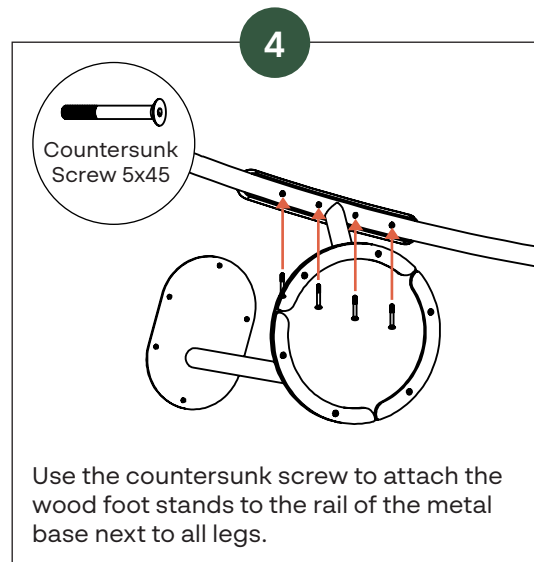
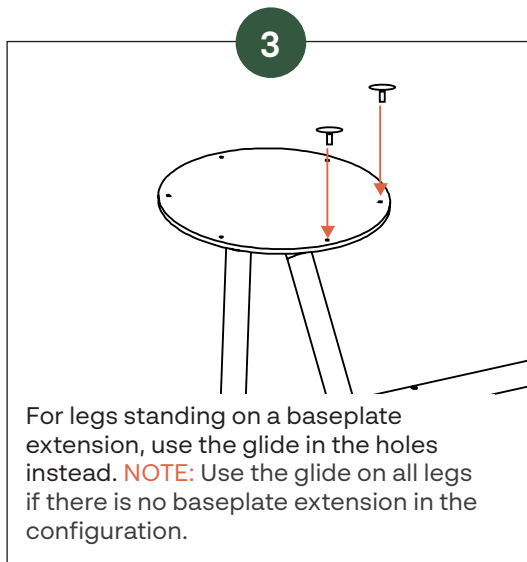
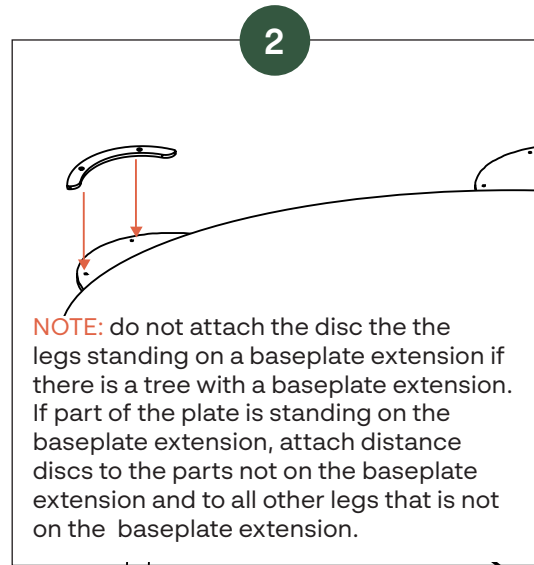
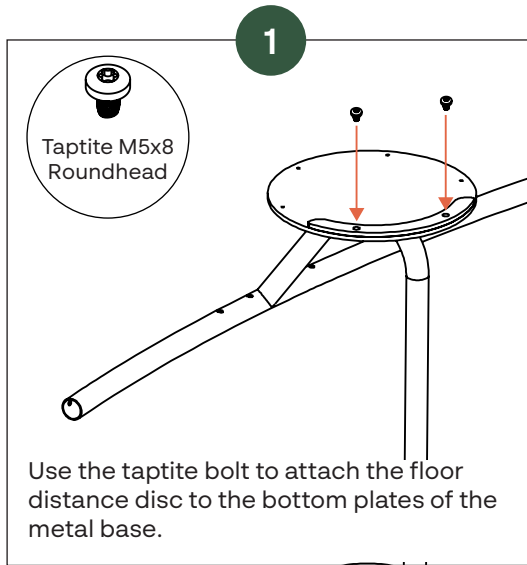
Seamless Bar Seater

 <p>Seamless Bar Seater Metal Base Convex 30° BA00088 x1</p>	 <p>Seamless Bar Seater Wood Seat Convex 30° BP00178 x1</p>	 <p>Seamless Bar Seater Wood Seat Single BP00175 x1</p>
 <p>Wood Top Foot Rail Convex 30° BP00180 x3</p>	 <p>Floor Distance for 350 Baseplate Leg BP00184 x9</p>	 <p>Countersunk Screw 5x45 SP141 x12</p>
 <p>Taptite M5x8 Roundhead SP026 x18</p>	 <p>Glide 5x3,5x1,5 SP144 x18</p>	 <p>Roundhead Wooden Screw 5x25 SP002_1 x18</p>

Assembly Instructions – Seamless Bar Convex 30°



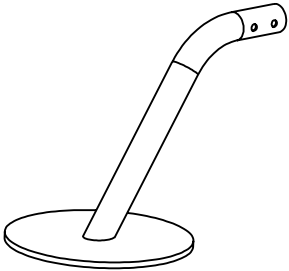
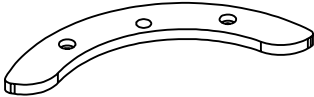
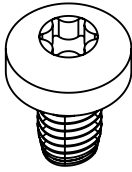
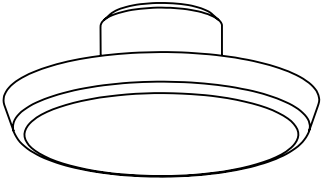
Seamless Bar Seater





Parts – Seamless Bar Seater Floor Ending

Seamless Bar Seater

 <p>Seamless Bar Seater Floor Ending BA00095 & BA00096</p>	 <p>Floor Distance for 250 Baseplate Ending BP00185</p>	 <p>Taptite M5x8 Roundhead SP026 x6</p>
 <p>Glide 5x3,5x1,5 SP144 x6</p>		

Assembly Instructions – Seamless Bar Seater

Floor Ending

