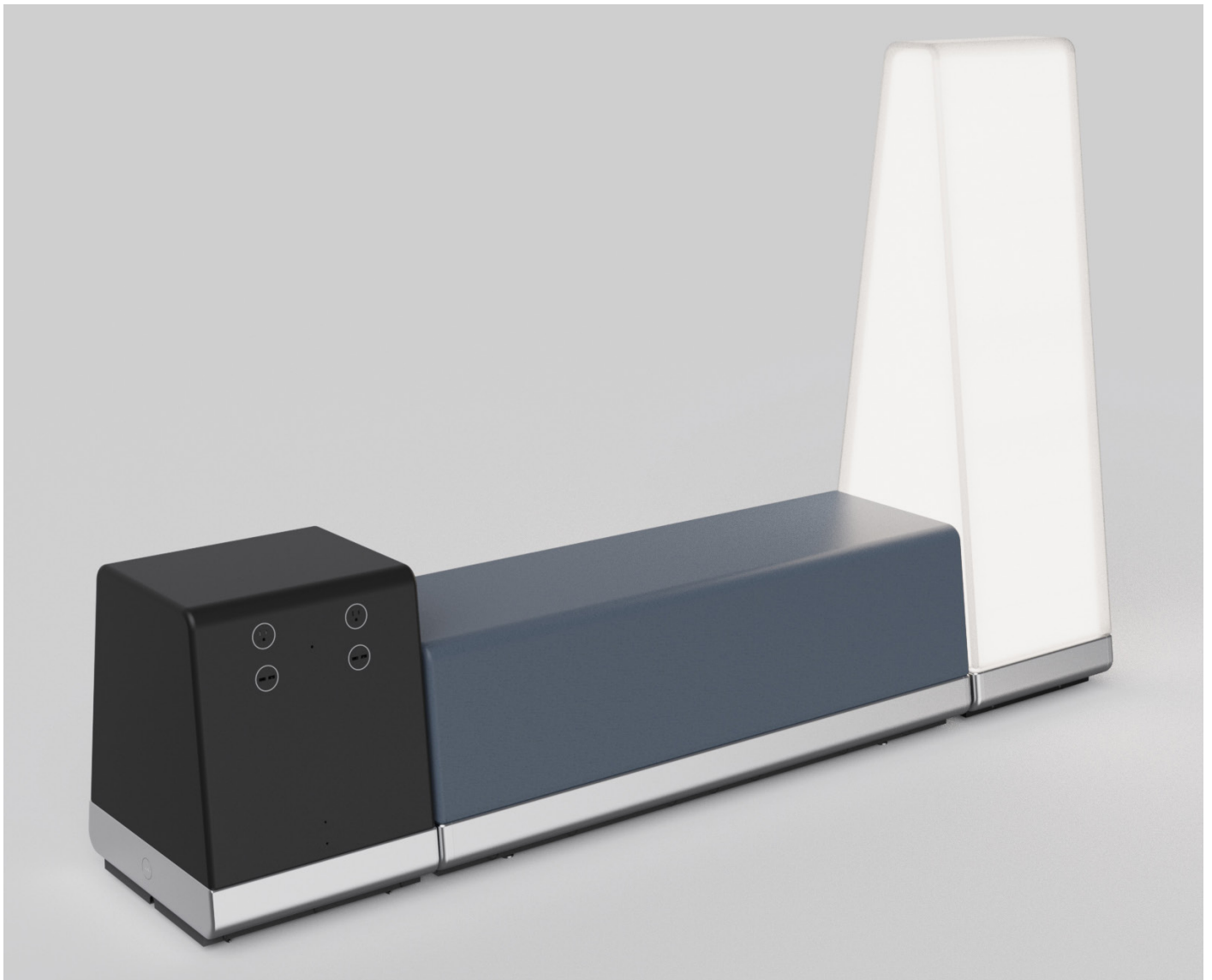


Hopscotch

A series of innovative and streamlined modular components that inspire dynamic social interactions



Designed by Republic of II by IV

Features

The Hopscotch Collection is an innovative, modular seating system that adds interest and character to it's environment, while promoting casual and playful interactions.

Hopscotch is comprised of 3 components: Hop Bench, Surge Power Station and Beacon Light Station.

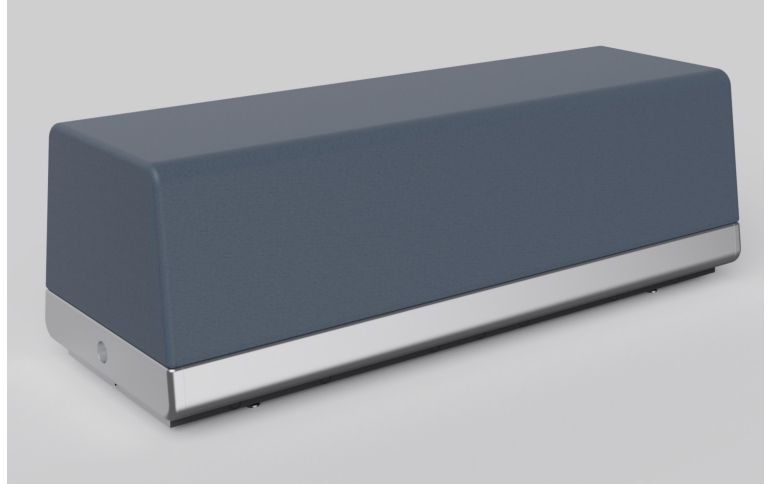


Features

Hop Bench

Hop Bench is characterized by an effortless, minimalistic and sculptural performance bench features plush padding for a comfortable seating experience and a robust structure to withstand high-impact spaces. Full upholstery hugs the bench's curves and seamlessly aligns with an aluminum base.

The base for all Hopscotch products is available in polished aluminum or matte black finish.



Surge Power Station

Surge is a charging station for personal electronic devices and can also be used as a table or work surface when placed beside other seating.

The power station features four USB-A and four USB-C ports, four AC receptacles, and two wireless charging spots. All power options can be accessed on either side so users can charge their devices in whichever way is most convenient.

Using OE Electrical USB-A and USB-C components, the outlets can be easily swapped out if the power connection needs to be replaced or upgraded.



Beacon Light Station

This triangular LED floor lamp was created to softly illuminate public spaces. The light also serves as a directional guidepost, enabling the seating system to be noticed from a distance. Beacon can be placed in a space by itself, or beside other furniture configurations to provide direction or symbolize a meeting point.



Specifications

CONSTRUCTION

Hop Bench

Body: HR Foam over bonded fiber and plywood core
Base: Extruded aluminum base with die-cast aluminum end caps

Surge Power Station

Body: Corian
Base: Extruded aluminum base with die-cast aluminum end caps

Beacon Light Station

Body: Roto-molded plastic
Base: Extruded aluminum base with die-cast aluminum end caps

FINISHES

Hop Bench

Upholstery: Vinyl, faux leather, woven textiles or COM
Base: Bright polished aluminum or matte black

Surge Power Station

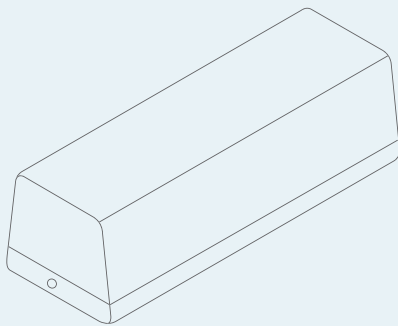
Base: Bright polished aluminum or matte black

Beacon Light Station

Base: Bright polished aluminum or matte black

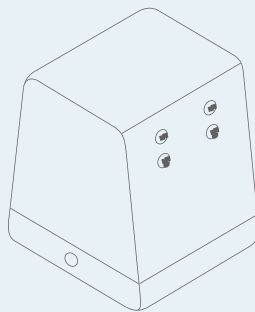
Dimensions

HOP BENCH



W: 56" (1420 mm)
D: 20.5" (520 mm)
H: 18" (460 mm)
SW: 14" (355 mm)

SURGE POWER STATION



W: 18.5" (470 mm)
D: 20.5" (520 mm)
H: 24" (610 mm)

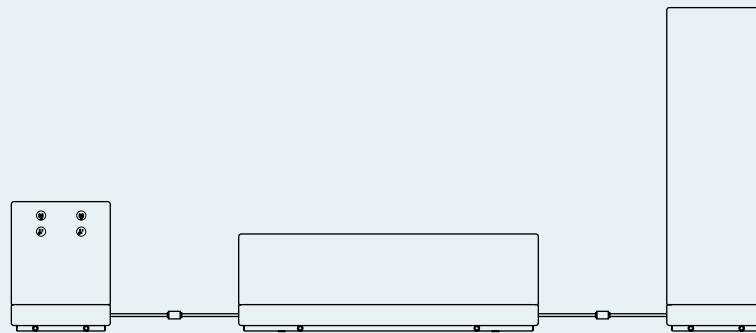
BEACON LIGHT STATION



W: 18.5" (470 mm)
D: 20.5" (520 mm)
H: 60" (1524 mm)

DAISY-CHAINING

All hopscotch collection products can be connected together. A conduit runs through the base of each product which hides an electrical cable. This cable allows a combination of multiple units to be daisy-chained together and powered from a single building supply source.



ARCONAS

Head Office

Arconas Corporation
5700 Keaton Crescent
Mississauga, Ontario
L5R 3H5 Canada

United States

Arconas Inc.
220 S. Elm Street
High Point, N. Carolina
27260 U.S.A.

Contact

Telephone: +1 905 272 0727
Toll Free: +1 800 387 9496
Email: info@arconas.com

 [/arconas](#)

 [@arconascorp](#)

 [/arconas](#)



ISO 9001:2015 &
ISO 14001:2015 Certified



arconas.com