

Flyaway

DESIGNED BY DOUGLAS BALL



ARCONAS

flyaway



The Flyaway public seating system is designed specifically for today's busy airports and commercial environments. Flyaway combines high performance, classic design and exceptional comfort – all at a competitive price.

Select Installations:

- Dallas/Fort Worth International Airport, TX
- Lisbon Portela International Airport, Portugal
- Raleigh Durham International Airport, NC
- Logan International Airport, MA
- La Guardia International Airport, NY
- Orlando International Airport, FL
- San Jose International Airport, Costa Rica
- Ottawa International Airport, ON
- UC Davis Hospitals, CA
- Department of Homeland Security, NE



Design

Flyaway's clean, graceful lines integrate a robust structure. Created by award-winning designer Douglas Ball for high-impact settings, the contemporary Flyaway emphasizes user comfort. Ergonomically contoured lumbar support, a higher backrest and substantial cushioning provide superior comfort for extended wait times in international and hub airports and public waiting areas.

High Performance

The durable Flyaway system is constructed of solid die-cast aluminum components, featuring a unique pin-lock which aligns seat components on the single steel beam assembly. A five seat back-to-back unit is securely supported by only four legs, emphasizing the clean design. Flyaway is protected by Arconas' comprehensive warranty.

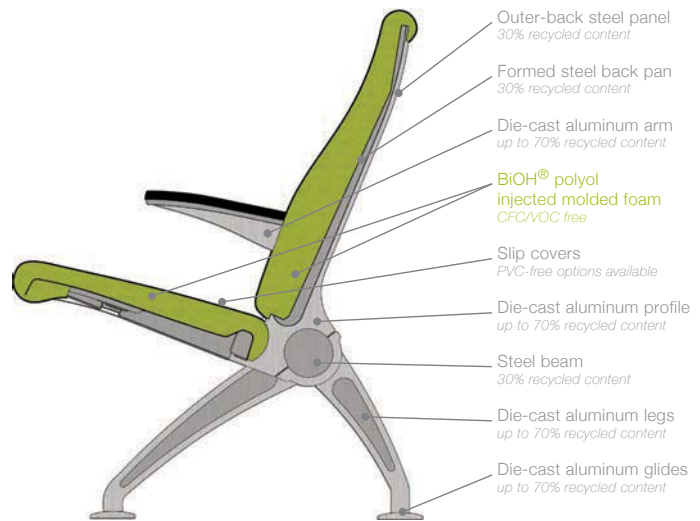
Environmentally Friendly

Creating environmentally friendly seating is a tradition at Arconas. Our foam incorporates BiOH[®] polyols derived from soybean oil - a renewable resource, and contains no harmful CFCs and emits no harmful fumes. Our manufacturing process creates minimal waste. All foam and metal components are recyclable. Our public seating products pass ANSI/BIFMA Emissions Standards X7.1-2007 and can help customers achieve LEED credits for commercial interiors.



Slipcover Upholstery System

Seat and back cushions are easily replaced on-site with Flyaway's unique slipcover upholstery system.



Environmental Profile

The cross-section of a Flyaway seat illustrates our commitment to manufacturing processes that embrace environmental sustainability and product life-cycle.



End table



Intermediate table
Replaces an interior seat position.



Bench
Indoor and outdoor models are available. Stainless steel seat pan upgrade shown.



Footrests and intermediate table

Safety and Security

Flyaway's open, under seat design improves waiting area sightlines for airport security personnel. The seating system exceeds ANSI-BIFMA standards, assuring passenger safety. Flyaway's solid structure resists tipping, while unit legs are positioned inboard to eliminate obstacles.

Installation and Configuration

Flyaway is designed for flexibility and ease of installation, including floor mounting. Many configurations are possible, including straight rows, corners and u-shapes in both single and back-to-back rows. Our locally trained installers ensure fast and continuous service.

Easy Maintenance

Floor cleaning becomes a simpler task due to Flyaway's minimal floor contact points. The low maintenance cushion design is nearly self-cleaning and can easily be reupholstered on-site. Flyaway's modular design and minimum number of parts ensures trouble-free maintenance over the unit's lifetime.

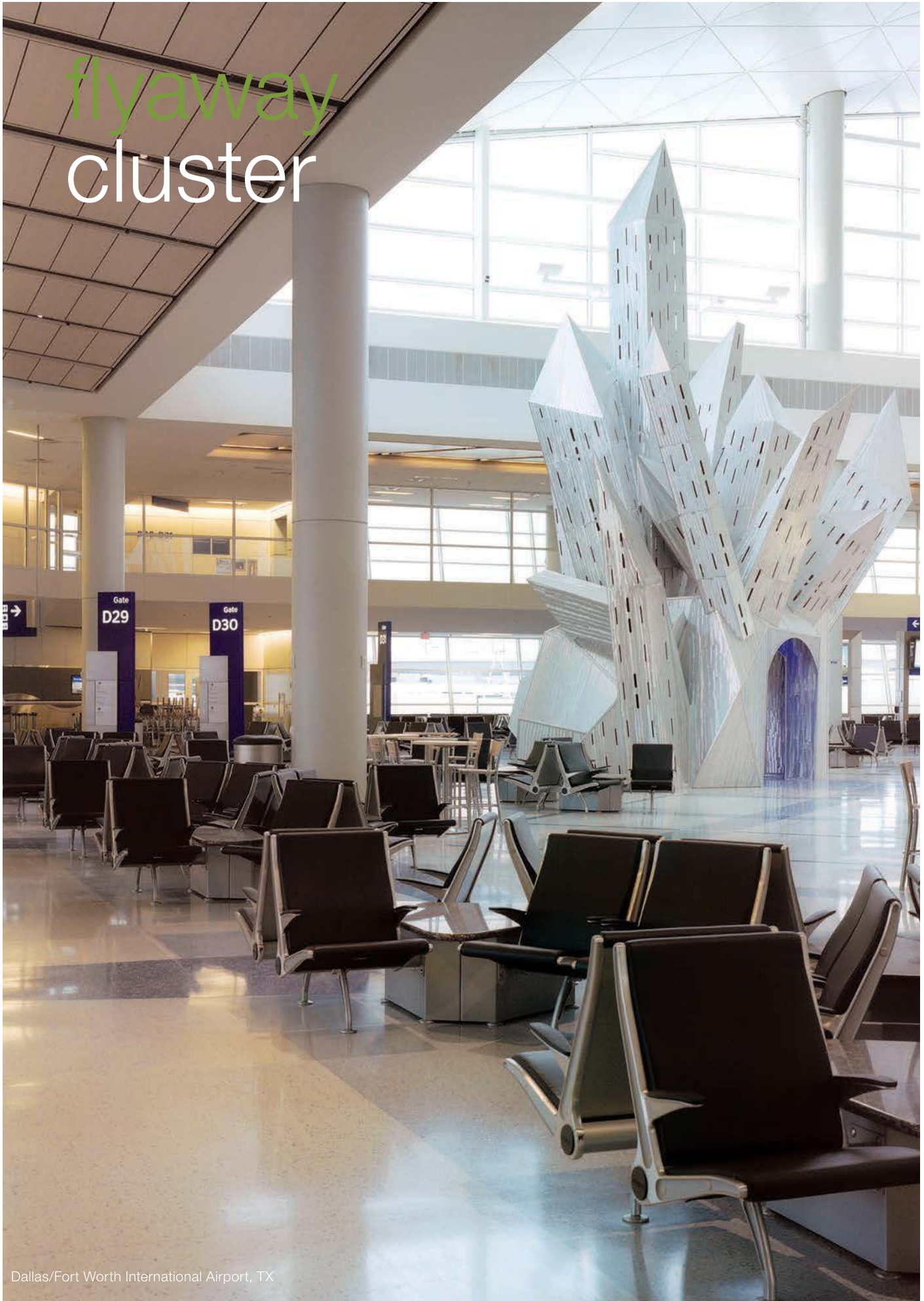


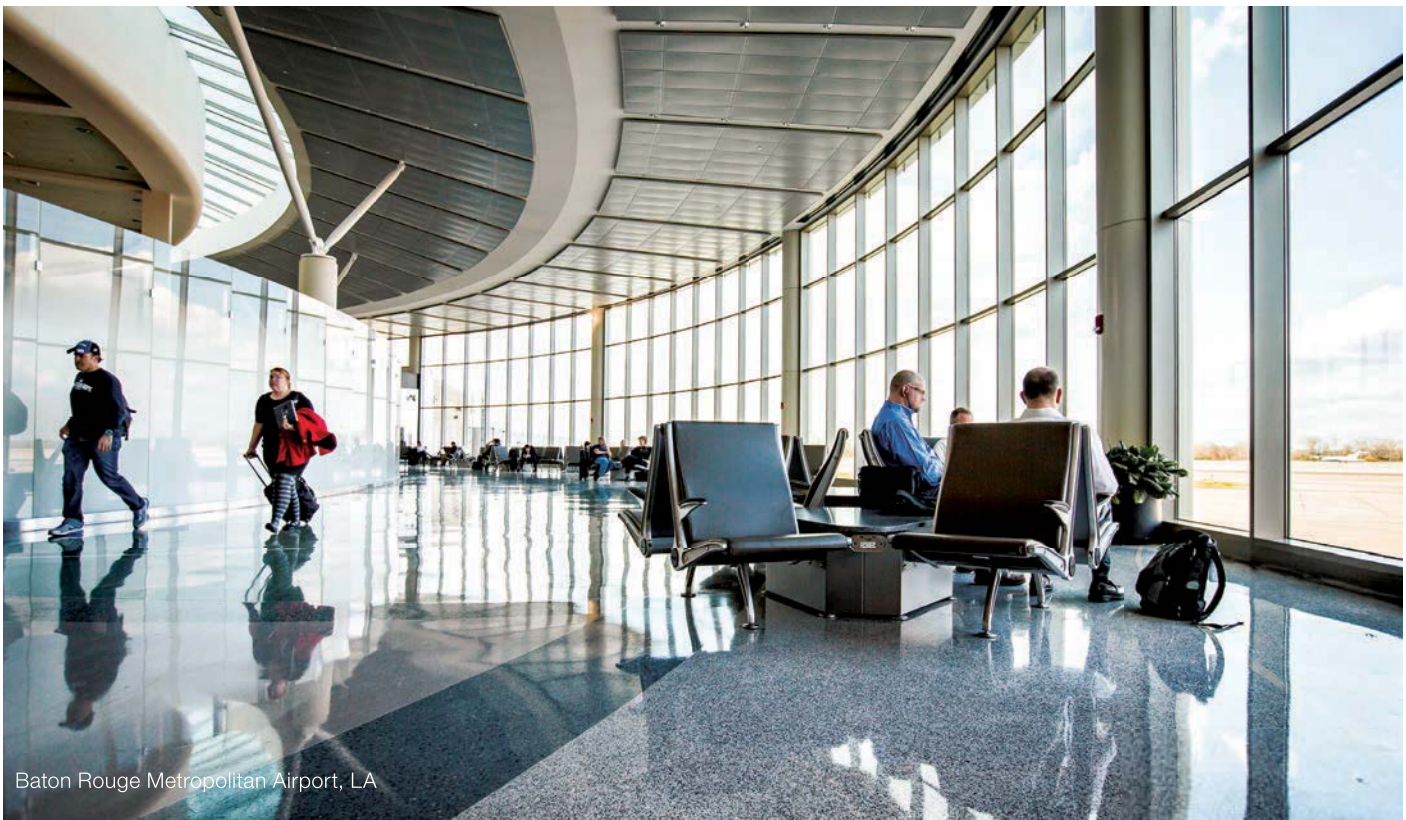
Clear sightlines



Logo embroidery

flyaway cluster





Baton Rouge Metropolitan Airport, LA

Power Access

Optional power access creates a temporary workstation. Power outlets and USB ports can be accessed from a seated position, just under the table's edge. Cords from portable electronic devices hang under the tabletop, out of the way. Logos can be embroidered on the seat backs to identify power access and Wi-Fi availability.

Flyaway Cluster

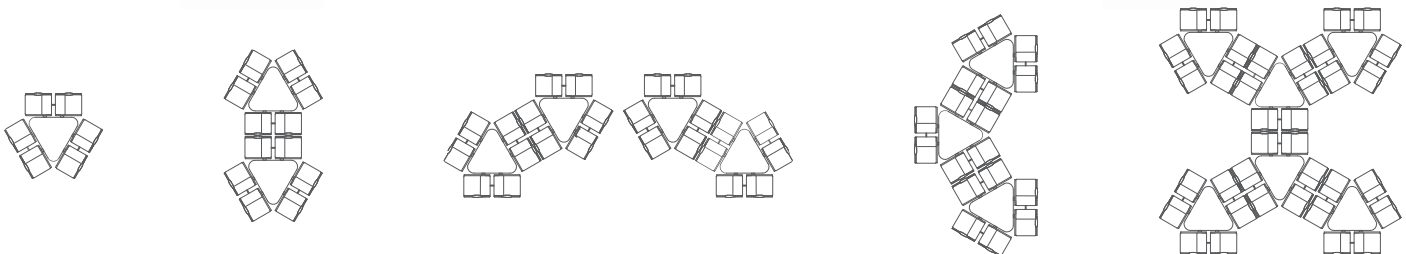
Six seat Flyaway Cluster units create inviting waiting areas that offer increased personal space and table surface. Increased personal space results in higher seat utilization, while the large central table provides sufficient surface for all occupants to share.

Seating Layouts

Clusters can be ganged to form semi-circular seating arrangements suitable for families and small groups to gather. Combine Cluster units with linear Flyaway seating to create further interest.

Fire Rating

Flyaway passes the most rigid fire standards in North America (CA Tech 117 & 133) and in Europe (BS-5852).



flyaway

Designer

Douglas Ball

The high performance Flyaway public seating system provides clean, graceful lines in a robust die-cast aluminum and steel structure, with an emphasis on user comfort for longer wait times.

SEATING UNITS, TABLES & BENCHES CONSTRUCTION

- Supports, Legs and Arms
 - Die-cast aluminum
- Seat and Back
 - Steel pans molded into CFC-free fire retardant HR urethane foam, incorporating BiOH polyols
- Beam
 - Tubular steel
- End Caps
 - Nylon
- Arm Pad
 - Molded urethane pad
- Tables
 - Laminate over wood core
 - Granite

glides:

- Adjustable

options:

- Arms
- Drink holders
- Floor mounting glides
- Anti-slide glides
- Custom embroidery on seatback
- inPower flex power module for linear and cluster units

FINISHES

Aluminum

- Satin
- Bright polished

Steel

- Powder coat - Cloud silver

Arm Pad

- Black

TABLETOPS

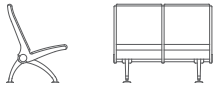
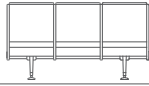





Laminate:

- Arconas standard laminates with vinyl edge


Granite:

- Black - Honed or Polished
- Grey - Honed or Polished
- Custom finishes/materials available


single units

FLY2S two seat unit	w 46" d 29.5" h 36.5" sh 17.5"	117 cm 75 cm 93 cm 44 cm	
FLY3S three seat unit	w 69" d 29.5" h 36.5" sh 17.5"	175 cm 75 cm 93 cm 44 cm	
FLY4S four seat unit	w 92" d 29.5" h 36.5" sh 17.5"	234 cm 75 cm 93 cm 44 cm	
FLY5S five seat unit	w 115" d 29.5" h 36.5" sh 17.5"	292 cm 75 cm 93 cm 44 cm	
FLYARM arm	w 2.75" d 29.5" ah 22.5"	7 cm 28 cm 57 cm	
FLYFREST footrest	w 20.75" d 21.75" h 18"	53 cm 55 cm 46 cm	
FLYDH drink holder	dia 3.5" d 5" ah 22.5"	9 cm 13 cm 57 cm	

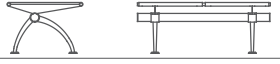
back-to-back units

FLY4D four seat unit (two per side)	w 46" d 61.5" h 36.5" sh 17.5"	117 cm 156 cm 93 cm 44 cm	
FLY6D six seat unit (three per side)	w 69"	175 cm	
FLY8D eight seat unit (four per side)	w 92"	234 cm	
FLY10D ten seat unit (five per side)	w 115"	292 cm	

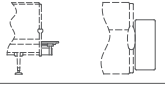

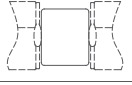
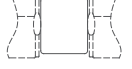
cluster unit

FLYCLUSTER cluster unit (six seats)	w 106" d 92" h 36.5" sh 17.5"	269 cm 234 cm 93 cm 44 cm	
--	--	------------------------------------	--

benches

FLY2B two seat bench	w 45" d 26" h 18"	114 cm 66 cm 46 cm	
FLY3B three seat bench	w 68"	173 cm	
FLY4B four seat bench	w 91"	231 cm	
FLY5B five seat bench	w 114"	290 cm	

tables

FLYENDTAB end table	w 9" d 23" h 17.5"	23 cm 58 cm 44 cm	
FLYCORNTAB end table	w 23" d 23" h 17.5"	58 cm 58 cm 44 cm	
FLYINTTAB intermediate table cm	w 21" d 23"	53 cm 58 cm	
FLYCONNTAB connecting table cm	w 21" d 23" h 17.5"	53 cm 58 cm 44 cm	

ARCONAS

Head Office

Arconas Corporation
5700 Keaton Crescent
Mississauga, Ontario
L5R 3H5 Canada

United States

Arconas Inc.
220 S. Elm Street
High Point, N. Carolina
27260 U.S.A.

Contact

Telephone: +1 905 272 0727
Toll Free: +1 800 387 9496
Email: info@arconas.com

[in](https://www.linkedin.com/company/arconas/) [linkedin.com/company/arconas/](https://www.linkedin.com/company/arconas/)

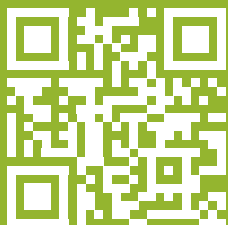
[ig](https://www.instagram.com/arconascorp) [@arconascorp](https://www.instagram.com/arconascorp)

[fb](https://www.facebook.com/arconas) [facebook.com/arconas](https://www.facebook.com/arconas)



Platinum
member

ISO 9001:2015 &
ISO 14001:2015 Certified



arconas.com



Printed In Canada
FY-02/17